



ISO 9001 Company

Heavy Engineering Corporation Limited
(A Govt. of India Enterprise)
Heavy Machine Building Plant
Ancillary & Contract Department

Tender Notice

Tender No. ACD/HMB/19/SC&IC/2100/OTE-5885 dtd 04.11.19 for **the procurement of steel casting and Iron casting items** is available on our website in e-procurement section i.e. <https://etenders.gov.in/e procure/app>. Aspiring bidders may go through the tender document.

Interested bidders are requested to submit their most competitive offer through e-procurement mode only. Offer submitted through offline mode will not be considered. For more information please visit our website <https://etenders.gov.in/e procure/app>.

Bid submission end date	25.11.19	01:00 PM
Technical Bid Opening date	26.11.19	03:00 PM

Prospective Tenderers are advised to get register themselves only on at NIC e-tender portal i.e. <https://etenders.gov.in/e procure/app>, obtain 'User ID' & 'Password' and go through the 'Self Help files' available in the Home Page after log in to the portal <http://etenders.gov.in>. They should also obtain Class III Digital Signature Certificate (DSC) in parallel which is essentially required for submission of their application. Detailed instructions for online bid submission are attached in **annexure-6**. No registration fee would be charged from the bidders.

Bidders are required to upload the bid along with all supporting documents including priced part (BoQ) only on the e-tendering website (<https://etenders.gov.in/e procure/app>), on or before the due date and time for submission of bid.

NOTE:

- 1. Any Future changes/notifications including extension of bid due date, pertaining to this tender will be published/hosted only on website & CPP Portal only.**



ISO 9001 Company

Heavy Engineering Corporation Limited
(A Govt. of India Enterprise)
Heavy Machine Building Plant
Ancillary & Contract Department

Submission of tender

The Following 2 covers shall be submitted through online CPP - portal by the bidders. Last date and time of submission of bids (cover 1, 2) is as per given dates.

Cover – I: - Containing techno-commercial bid

Cover – I containing

- i. Duly Filled Annexure-1
- ii. Ref. and PO as per Annexure 1, Sl. 2
- iii. Facilities available at your works for the same work/similar work as per Annexure 1, Sl. 3
- iv. All other documents as per Annexure 1 and Self Declaration as per Annexure 3

Cover - II: Price Bid (BoQ)

a) The tenderer shall upload the digitally signed Schedule of price bid in the form of BOQ.xls

Bidders may please note, the schedule of quantities is attached in the portal. The same (BOQ) shall be downloaded and be filled in the editable (un protected) cells only and they should necessarily submit their financial bids in the format provided after entering the financial quotes, name of the bidder etc.

Bid Opening Process is as below:-

Cover-I: Technical bid opening date will be as per given dates. If any clarification is needed from the bidder about the deficiency in his uploaded documents in Cover-I, he will be asked to provide it through Short fall documents folder in e-tendering portal one time only or through mail. The bidder shall upload the requisite clarification / documents within time specified by HEC, failing which tender will be liable for rejection.

Cover-II: The financial bids of the contractors / firms found to be meeting the qualifying requirements and technical criteria shall be intimated through portal. (Depending on Cover-I evaluation any changes in the date shall be intimated through e-tendering portal).



ISO 9001 Company

Heavy Engineering Corporation Limited
(A Govt. of India Enterprise)
Heavy Machine Building Plant
Ancillary & Contract Department

Tender No. ACD/HMB/19/SC&IC/2100/OTE-5885

Dtd 04.11.19

OPEN TENDER

A. Scope of Supply

HEC intends to procure the following item. Interested firms are requested to submit their most competitive offer for supply of following item as per the technical instructions and the terms & conditions given below.

Sl. No.	Drg.No.	Desc.	Qty	Wt/pc in Kg	Material Grade
1	1040.18.312	Driving Half Coupling	20	42.00	Gr-2 IS:2707-96
2	1040.18.311	Driving Half Coupling	20	36.00	Gr-2 IS:2707-96
3	1040.18.301	Jaw Disc	18	71.00	Gr-2 IS:2707-96
4	1240.02.002	Bearing Housing	8	94.00	CS:280-520W IS: 1030-89
5	1240.02.003	Bearing Cover	8	41.00	CS:280-520W IS: 1030-89
6	1212.05.02	Eccentric	16	35.00	CS:280-520W IS: 1030-89
7	1212.05.18	Lever	8	28.00	CS:280-520W IS: 1030-89
8	1220.03.45	Top Grate Bar	8	55.00	CS:280-520W IS: 1030-89
9	1220.03.17	Body	8	10.00	CS:280-520W IS: 1030-89
10	1040.18.305	Slider Jaw	22	43.00	C.S. Gr-2 IS:2707-96
11	1060.12.203	Wedge Rope	6	4.80	CS:280-520W IS: 1030-89
12	1040.18.304	Half Collar	32	30.00	SC. Gr-2 IS:2707-89
13	1212.01.08	Hand Wheel	40	2.00	FG200, IS: 210- 93
14	1212.05.16	Housing	8	26.00	FG260, IS: 210- 93
15	1212.05.20	Housing	8	7.00	FG260, IS: 210- 93
16	1212.05.24	Slider	16	0.70	FG260, IS: 210- 93
17	1212.04.10	Wheel	4	6.00	FG200, IS: 210-93
18	1212.04.14	Bush	4	0.18	FG260, IS:210-93
19	1040.18.308	Slider	16	8.50	FG260, IS:210-93

B. Technical Instructions:

1. Item sl.no. 1,2,3,9,10,12,14 & 15 are to be supplied in rough machined condition as per drawings and its technical instruction.
2. Item sl.no. 4,5,6,7,8,11,13,16,17,18 & 19 are to be supplied in Finish machined condition as per drawings and its technical instruction.

Ancillary & Contract Department, Ground Floor Administrative Building, HMBP, HEC, Ranchi 834004,
Jharkhand, Phone: 0651 2400935,2400987 Fax: 0651 2401166, email: sunilksingh@hectd.com/
raviverma@hectd.com/ alok.singh@hectd.com



ISO 9001 Company

Heavy Engineering Corporation Limited
(A Govt. of India Enterprise)
Heavy Machine Building Plant
Ancillary & Contract Department

3. Items Sl. No. 4 & 5 have to be supplied in set-wise as per HEC Drawings and its Technical Instruction. L-1 bidder will be decided based on combined quoted price of the items.
4. Items should be of good surface finish as per HEC drawing and free from any defect like cracks, sand inclusion, blow holes etc.
5. Items have to be supplied as per HEC Drawings with Ultrasonic Quality (conforming to Standards) in case it is mentioned in the HEC drawings.

Note -Drawings are enclosed with the Tender & drawings are also available in our office (ACD)/HMBP, HEC Ltd. for study on any working day before opening of tender.

“The supplier has to give identification mark (to be indicated afterwards by HEC) on each item.”

Terms & conditions

1. The rate quoted shall be Inclusive of all packing & forwarding, Freight charges & insurance on F.O.R HMBP Stores.
2. The Price quoted by the tenderer should be exclusive of GST. The rate and nature of GST applicable should be shown separately. GST will be paid to the seller at the rate at which it is liable to be assessed or has actually been assessed on the date of supply provided the transaction of sale is legally liable to GST and within the delivery period.
3. **Validity of offer** - The rates quoted must be firm and the offer made must remain valid for acceptance up to **three months** from the date of opening of the tender. The rate quoted must be in word and figure as well. In case any discrepancy in rate given in figures and word, the rate given in words will prevail.
4. **Payment terms:** 90% payment along with 100% taxes and duties within two months of receipt of material in HMBP and 10% against C.R.V (to be issue by our Stores after receipt and acceptance of material at HMBP). In case of any deviation by the bidders necessary loading @ 1% Per Month (12% max Per Year) on quoted price shall be applicable and L-1 firm will be decided based on landed cost after loading on quoted price.
5. **Delivery Schedule –within 60 days from the date of issue of PO.** In case the delivery schedule is not acceptable to any bidder, the Price bid of the bidder may not be opened for the said Enquiry.
6. Full particular i.e. specification, literature and or drawing wherever applicable should be submitted along with the quotation.
7. The Corporation does not pledge itself to accept the lowest or any tender and reserve to itself the right of accepting the whole or any part of tender or portion of the quantity offered and you shall supply the same at the rate quoted.



ISO 9001 Company

Heavy Engineering Corporation Limited
(A Govt. of India Enterprise)
Heavy Machine Building Plant
Ancillary & Contract Department

8. Inspection of the manufactured items will be done by QCA/HMBP or his authorized representative at supplier's works, Necessary tools and measuring instruments to be provided by the supplier.
9. Corporation reserves the right to call for and examine at any time the books of accounts and other document and papers of the firm for the purpose of ascertaining whether any excess payment has been made or the firm likely to be received / received undue benefit out of execution of the particular contract.
10. **Earnest Money Deposit -Rs 30000/-** will have to be deposited by demand draft on any of the nationalized banks in favor of "Heavy Engineering Corporation Limited, payable at Ranchi" or in the form of Bank Guarantee as per annexure-4. The copy of EMD in form of DD/BG will have to enclose in the Techno- Commercial bid (Part 1) and the original copy of the same has to reach before opening date of tender. Exemption of EMD shall be applicable on submission of valid SSI/NSIC/MSME certificate and as per prevailing govt guidelines. SSI/NSIC/MSME Certificate to be enclosed in Techno Commercial Bid Part 1.
11. **Tender Fee –Rs 300/-** will have to be deposited by demand draft on any of the nationalized banks in favor of "Heavy Engineering Corporation Limited, payable at Ranchi. The copy of Tender Fee in form of DD will have to enclose in the Techno-Commercial bid (Part 1) and the original copy of the same has to reach before opening date of tender. Exemption of Tender Fee shall be applicable on submission of valid SSI/NSIC/MSME certificate and as per Govt rules. SSI/NSIC/MSME Certificate to be enclosed in Techno Commercial Bid Part 1.
12. **Security deposit (SD)** – Successful tenderers will have to deposit security equal to 5 % of the value of the contract within the desired period i.e. within 21 days of PO date. Failing this, the contract will be cancelled at the risk and expenses of the suppliers. SD will have to be deposited by demand draft on any of the nationalized banks in favor of "Heavy Engineering Corporation Limited, payable at Ranchi" or in the form of Bank Guarantee as per format at annexure-5. Exemption of SD shall be applicable as per prevailing govt guidelines.
13. **Delivery :** The time for and the date of delivery of the Stores stipulated in the acceptance of tender shall be deemed to be the essence of the Contract and delivery must be completed not later than the dates specified therein. Otherwise:
 - a. The purchaser to recover from the Contractor a sum of 0.5% per week (Completed week) of the price of the Stores (upto maximum 10%) as liquidated damages, which the contractor has failed to deliver as a foresaid or
 - b. The purchaser may procure the undelivered stores/ similar items from elsewhere, without notice to the contractor at the risk of the contractor without canceling the contract in respect of the consignment not yet due for delivery or
 - c. To cancel the contract or a portion thereof.
14. The rates quoted shall also be inclusive of embossing on the material. The ownership namely HMBP should be at a predominant place of the material to a size/ thickness upon the volume of the material.



ISO 9001 Company

Heavy Engineering Corporation Limited
(A Govt. of India Enterprise)
Heavy Machine Building Plant
Ancillary & Contract Department

15. The corporation reserves the right to reject any / all tender partly / fully and no tenderer can ask any explanation anywhere in this regard.
16. Successful Bidders have to sign the confidentially agreement in HEC's format.
17. **Guarantee clause-** The items supplied shall be guaranteed for a period of 12 months from the date of commissioning or 18 months from the date of supply whichever is earlier against defective materials or bad workmanship
18. The repeat order for 100% quantity may be placed on successful bidder/bidders within one year from the date of delivery of the original Purchase Order on mutual agreement.
19. Based on HEC's requirement and as per TCC Recommendation, the total Tendered Quantity may be split amongst more than one Successful bidder at L-1 Landed Price.
20. Order placed as a result of this tender will be governed by the Corporation's General Terms and Conditions of Contract which can be referred in HEC's website www.hecltd.com

Note:-

1. As per the govt. Guidelines it is to be specified clearly in your offer whether your firm is registered with SSI/NSIC/MSME and also confirm whether the firm is owned by SC/ST Entrepreneurs or not.
2. Pl. provide UAM no to avail Facilities of MSME.
3. Please get registered your firm with HEC Ltd.

(S.K.Singh)

DGM/ACD/HMBP



ISO 9001 Company

Heavy Engineering Corporation Limited
(A Govt. of India Enterprise)
Heavy Machine Building Plant
Ancillary & Contract Department

Annexure – 1

PART – I (Techno - Commercial Bid)

Tender No. ACD/HMB/19/SC&IC/2100/OTE- 5885

Dtd 04.11.19

	Requisite	✓ your option		Remark
1	Whether the scope of work (A) & technical instruction (B) mentioned in the tender enquiry schedule is acceptable.	Yes	No	
2	Reference & Photocopies of Major PO's placed on you by HEC /Other companies for similar items.	Yes	No	(Upload the relevant documents)
3	Duly notarized/Self Attested copies of Manufacturing Facilities (Casting, Machining etc.) available at your works for the same work/similar work. In case you don't have own Casting facility, PI provide the tie up letter & Credential of tie up from where the Casting will be procured.	Yes	No	(Upload the relevant documents)
4	Whether EMD and Tender fees Deposited (As per Clause 10 & 11 of Terms & Conditions)	Yes	No	(In case yes, then upload Copy of DD/BG)
5	Whether SSI/NSIC/MSME	Yes	No	(In case yes, then upload certificate)
6	F.O.R. HMBP (As per clause 1 of Terms & condition)	Yes	No	
7	UAM no to avail Facilities of MSME	Yes	No	(In case yes, mention UAM no)
8	Payment Term (As per clause 4 of Terms & condition)	Yes	No	(In case your answer is No, then please mention your term) _____
9	Delivery Term (As per clause 5 of Terms & condition)	Yes	No	(In case your answer is No, then please mention your term) _____
10	Validity (As per clause 3 of Terms & conditions)	Yes	No	
11	L.D. Clause & Risk purchase clause (As per clause 13(a) & 13(b) of Terms & conditions)	Yes	No	
12	Guarantee Clause (As per clause 18 of Terms & conditions)	Yes	No	
13	Security Deposit (As per clause 12 of Terms & conditions)	Yes	No	



ISO 9001 Company

Heavy Engineering Corporation Limited
(A Govt. of India Enterprise)
Heavy Machine Building Plant
Ancillary & Contract Department

14	GST	Yes	No	Applicable GST (%)
15	Inspection (As per clause 8 of Terms & conditions)	Yes	No	
16	Self Declaration (as per annexure-3)	Yes	No	
17	General Terms and Conditions of Contract (As per clause 20 of Terms & conditions)	Yes	No	
18	Firm is owned by SC/ST Entrepreneurs	Yes	No	
19	Whether Terms & Condition/Note etc. mentioned in the tender enquiry is acceptable to the tenderer	Yes	No	
20	Contact Person Name:- Email:- Contact Number:-			

Note : In case of non-submission / submission of incomplete documents in terms of proofs duly notarized/self attested as per above details, your offer may not be considered for the said Enquiry.

(Signature of Tenderer)
With official Seal



ISO 9001 Company

Heavy Engineering Corporation Limited

(A Govt. of India Enterprise)

Heavy Machine Building Plant

Ancillary & Contract Department

Annexure – 2

PART-II (Price Bid)

The tenderer shall upload the digitally signed Schedule of price bid in the form of BOQ.xls

Bidders may please note, the schedule of quantities is attached in the portal. The same (BOQ) shall be downloaded and be filled in the editable (unprotected) cells only and they should necessarily submit their financial bids in the format provided after entering the financial quotes, name of the bidder etc.



ISO 9001 Company

Heavy Engineering Corporation Limited
(A Govt. of India Enterprise)
Heavy Machine Building Plant
Ancillary & Contract Department

Annexure – 3

Tender No. ACD/HMB/19/SC&IC/2100/OTE-5885

Dtd 04.11.19

Self-Declaration

I _____, Son / Daughter of
Shri _____ age _____ years, resident of
_____ in the District of _____, do hereby
declare that all the information given in the offer and in the enclosed documents is true
to the best of my knowledge and belief and nothing has been concealed therein. I am
well aware of the fact that if the information given by me is proved false / not true at
any point of time, I will have to face punishment as per any provision of Law for the time
being in force as well as the benefit availed of by me or the benefit accrued to me shall
be summarily cancelled.

Date: -

(Signature of Tenderer)
With official Seal



ISO 9001 Company

Heavy Engineering Corporation Limited

(A Govt. of India Enterprise)

Heavy Machine Building Plant

Ancillary & Contract Department

Annexure 4

Format for

BANK GUARANTEE FOR EARNEST MONEY DEPOSIT

(to be issued by any Nationalized bank preferably State bank of India negotiable at their counters in Ranchi)

NO.

Dated:

TO
ANCILLARY & CONTRACT DEPARTMENT
MATERIAL MANAGEMENT DIVISION
HEAVY MACHINE BUILDING PLANT
HEAVY ENGINEERING CORPORATION LTD.
RANCHI-834004, JHARKHAND
INDIA

Dear Sirs,

In consideration of your agreeing to accept the Earnest money deposit of Rs.-----
(Rs-----) furnishable to you by M/s-----
------(Hereinafter Referred to As Contractor) In terms of the Enquiry No. -----
-----Dtd. ----- for Supply of -----
(Hereinafter Referred to as the Contract) in the form of a Bank Guarantee in the Manner hereinafter contained we -----, having registered office at -----do hereby covenant and agree with you as follows.

1. We hereby undertake to indemnify you up to a sum of Rs. ----- (Rs. ----- only) against any loss or damage caused to or suffered by you or that may be caused to or suffered by you by reason of any breach or breaches on the part of the contractor of any of the terms and conditions contained in the said contract and in the event the Contractor shall make any default or defaults in carrying out any of the works under the said contract or otherwise in the observance and performance of any of the terms and conditions relating thereto in accordance with the true intent and meaning thereof, we shall forthwith on demand and without any protest or demur pay to you such sum or sums not exceeding in total the said sum of Rs.-----



ISO 9001 Company

Heavy Engineering Corporation Limited
(A Govt. of India Enterprise)
Heavy Machine Building Plant
Ancillary & Contract Department

----- (Rs. -----*amount*-----only) as may be claimed by you as your losses and/or damages, costs, charges or expenses by reason of such default or defaults on the part of the contractor.

2. Notwithstanding anything to the contrary contained in this guarantee your decision as to whether the contractor has made any such default or defaults and the amount or amounts to which you are entitled by reasons thereof will be binding on us and we shall not be entitled to ask you to establish your claim or claims or damages or losses suffered by you but will pay the amount demanded by you under this guarantee forthwith on your demand without any protest or demur.

3. This guarantee shall continue and hold good until it is released by you on the application by the contractor after expiry of the related warranty period of the said contract and after the contractor have discharged all their obligations under the said contract and produced a certificate of due completion of the work under the said contract and submitted a "NO Demand Certificate" provided always that this guarantee shall in no event remain in force after the date of----- without prejudice to your claim or claims arisen and demanded from or otherwise notified to us in writing before the expiry of six months from the said date which will be enforceable against us not withstanding that the same is or are enforced after the said date.

4. We-----, further undertake to extend the validity of this beyond the period prescribed in clause 3 or as extended from time to time for such further period as may be required in writing before the Expiry of this and upon such extension(s), all terms and conditions of this shall remain in full force till the expiry of this extended period(s).

5. You will have the fullest liberty without affecting this guarantee from time to time to vary any of the terms and conditions of the said contract or extend the time of performance of the contractor or to postpone for any time or from time to time any of your rights or powers against the contractor and either to enforce or forbear to enforce any of the terms and conditions of the said contract and we shall not be released from our liability under this guarantee by the exercise of your liberty with reference to matters aforesaid or by reason of any time being given to the contractor or any other forbearance, act or omission on your part or any indulgence by you to the contractor or by any other variation or modification of the said contract or any other act, matter or things whatsoever, which, under the law relating to sureties, would but for the provisions hereof, have the effect of so releasing us from our liability hereunder provided always that nothing herein contained will enlarge our liability hereunder beyond the limit of Rs. -----(Rs.-----) as aforesaid or extend the period of the guarantee beyond the said Date of ----- unless expressly agreed to by us in writing in terms of clause 4 hereof.

6. This guarantee shall not in any way be affected by your taking or varying or giving up any securities from the contractor or any other person, firm or company on its behalf or by the winding up, dissolution, insolvency or death as the case may be of the contractor.



ISO 9001 Company

Heavy Engineering Corporation Limited
(A Govt. of India Enterprise)
Heavy Machine Building Plant
Ancillary & Contract Department

7. In order to give full effect to the guarantee herein contained, you shall be entitled to act as if we are your principal debtors in respect of all your claims against the contractor hereby guaranteed by us as aforesaid and we hereby expressly waive all our rights of suretyship and other rights, if any, which are in any ways inconsistent with any of the provisions of this guarantee.

8. Subject to the maximum limit of our liability as aforesaid this guarantee will cover all your claim or claims against the contractor from time to time arising out of or in relation to the said contract and in respect of which your claim in writing is lodged on us before expiry of six months from the date of expiry of this guarantee.

9. Any notice by way of demand or otherwise hereunder shall be in writing and may be sent by special Courier or Telefax to us or our Local Address as aforesaid.

10. This guarantee and the powers & provisions herein contained are in addition to and not by way of limitation or substitution for any other guarantee or guarantees heretofore given to you by us whether jointly with others or alone and now existing uncancelled and that this guarantee is not intended to and shall not revoke or limit such guarantee or guarantees.

11. This guarantee shall not be affected by any change in the constitution of the contractor or us nor shall it be affected by any change in your constitution or by any Amalgamation or absorption thereof or therewith but will ensure for the benefit or and be available to and enforceable by the absorbing or amalgamated company or concern.

12. This guarantee is irrevocable during the period of its currency and shall not be revoked without your previous consent in writing.

13. We further agree and undertake to pay you the amount demanded by you in writing irrespective of any dispute or controversy between you and the contractor or any reference to arbitration of the said dispute/controversy pending or a civil suit filed by the contract or in respect of the dispute or controversy.

14. Not withstanding anything contained herein above our liability under this guarantee is restricted to Rs.----- (Rs. -----only) and this guarantee shall remain in force until -----unless a written claim is lodged on us for payment under this guarantee within six months from the date of expiry of this guarantee . i.e. On or before-----all your rights under this guarantee shall be forfeited and we shall be deemed to have released and discharged from all liabilities there under, irrespective of whether or not the original guarantee is returned to us.

15. We have power to issue this guarantee in your favour under the memorandum and articles of association of the bank and the undersigned has full power to execute this guarantee under the power of Attorney Granted to them by the Bank.

FOR AND ON BEHALF OF



ISO 9001 Company

Heavy Engineering Corporation Limited
(A Govt. of India Enterprise)
Heavy Machine Building Plant
Ancillary & Contract Department

Annexure 5

**Format for
BANK GUARANTEE FOR SECURITY DEPOSIT**

(to be issued by any Nationalized bank preferably State bank of India negotiable at their counters in Ranchi)

TO,

M/S HEAVY ENGINEERING CORPORATION LIMITED
PLANT PLAZA ROAD,
DHURWA,
RANCHI – 4

Dear sir,

In consideration of your agreeing to accept the security deposit of rs.'amount'..... furnishable to you by m/s 'firms name'..... (hereinafter referred to as contractor) in terms of the contract no.'hec's purchase order no'.....for supply of 'details of items'.....(hereinafter referred to as the 'contract') in the form of a bank guarantee in the manner hereinafter contained we.....'bank details'..... branch, having registered office at 'place'..... do hereby covenant and agree with you as follows:

1. We hereby undertake to indemnify you up to a sum of rs.'amount'.....(rupees 'amount in words'.....) against any loss or damage caused to or suffered by you or that may caused to or suffered by you by reason of any breach or breaches on the part of the contractor of any of the terms and conditions contained in the said contract and in the event the contractor shall make any default or defaults in carrying out any of the works under the said contract or otherwise in the observance and performance of any of the terms and



ISO 9001 Company

Heavy Engineering Corporation Limited
(A Govt. of India Enterprise)
Heavy Machine Building Plant
Ancillary & Contract Department

conditions relating thereto in accordance with the true intent and meaning thereof, we shall forthwith on demand and without any protest or demur pay to you such sum or sums not exceeding in total the said sum of rs.'amount'.....(rupees 'amount in words'.....) as may be claimed by you as your losses and / or damages, costs, charges or expenses by reason of such default or defaults on the part of the contractor.

2. Notwithstanding anything to the contrary contained in this guarantee your decision as to whether the contractor has made any such default or defaults and the amount or amounts to which you are entitled by reasons thereof will be binding on us and we shall not be entitled to ask you to establish your claim or claims or damages or losses suffered by you but will pay the amount demanded by you under this guarantee forthwith on your demand without any protest or demur.
3. This guarantee shall continue and hold good until it is released by you on the application by the contractor after expiry of the related warranty period of the said contract and after the contractor have discharged all their obligations under the said contract and produced a certificate of due completion of the work under the said contract and submitted a 'no demand certificate' provided always that this guarantee shall in no event remain in force after the date of ...'date'..... without prejudice to your claim or claims arisen and demanded from or otherwise notified to us in writing before the expiry of six months from the said date which will be enforceable against us notwithstanding that the same is or are enforced after the said date.
4. We 'bank name'....., further undertake to extend the validity of this beyond the period prescribed in clause 3 or as extended from time to time, for such further period as may be required in writing before the expiry of this and upon such extension(s), all terms and conditions of this shall remain in full force till the expiry of this extended period(s).
5. You will have the fullest liberty without affecting this guarantee from time to time to vary any of the terms and conditions of the said contract or extend the time of performance of the contractor or to postpone for



ISO 9001 Company

Heavy Engineering Corporation Limited
(A Govt. of India Enterprise)
Heavy Machine Building Plant
Ancillary & Contract Department

any time or from time to time any of your rights or powers against the contractor and either to enforce or forebear to enforce any of the terms and conditions of the said contract and we shall not be released from our liability under this guarantee by the exercise of your liberty with reference to matters aforesaid or by reason of any time being given to the contractor or any other forbearance, act or omission on your part or any indulgence by you to the contractor or by any other variation or modification of the said contract or any other act, matter or things whatsoever, which, under the law relating to sureties, would but for the provisions hereof, have the effect or so releasing us from our liability hereunder provided always that nothing herein contained will enlarge our liability hereunder beyond the limit of rs.'amount'.....(rupees 'amount in words'.....) as aforesaid or extend the period of the guarantee beyond the said date of ...'date'.... unless expressly agreed to by us in writing in terms of clause 4 hereof.

6. This guarantee shall not in any way be affected by your taking or varying or giving up any securities from the contractor or any other person, firm or company on its behalf or by the winding up, dissolution, insolvency or death as the case may be of the contractor.
7. In order to give full effect to the guarantee herein contained, you shall be entitled to act as if we are your principal debtors in respect of all your claims against the contractor hereby guaranteed by us as aforesaid and we hereby expressly waive all our rights of suretyship and other rights, if any, which are in any way inconsistent with any of the provisions of this guarantee.
8. Subject to the maximum limit of our liability as aforesaid this guarantee will cover all your claim or claims against the contractor from time to time arising out of or in relation to the said contract and in respect of which your claim in writing is lodged on us before expiry of six months from the date of expiry of this guarantee.
9. Any notice by way of demand or otherwise hereunder shall be in writing and may be sent by special courier, speed post or telefax to us at our local address as aforesaid.



ISO 9001 Company

Heavy Engineering Corporation Limited
(A Govt. of India Enterprise)
Heavy Machine Building Plant
Ancillary & Contract Department

10. This guarantee and the powers & provisions herein contained are in addition to and not by way of limitation of or substitution for any other guarantee or guarantees heretofore given to you by us whether jointly with others or alone and now existing uncanceled and that this guarantee is not intended to and shall not revoke or limit such guarantee or guarantees.
11. This guarantee shall not be affected by any change in the constitution of the contractor or us nor shall it be affected by any change in your constitution or by any amalgamation or absorption thereof or therewith but will ensure for the benefit of and be available to and enforceable by the absorbing or amalgamated company or concern.
12. This guarantee is irrevocable during the period of its currency and shall not be revoked without your previous consent in writing.
13. We further agree and undertake to pay you the amount demanded by you in writing irrespective of any dispute or controversy between you and the contractor or any reference to arbitration of the said dispute / controversy pending or a civil suit filed by the contractor in respect of the dispute or controversy.
14. Notwithstanding anything contained herein above our liability under this guarantee is restricted to rs.'amount'.....(rupees 'amount in words'.....) and this guarantee shall remain in force until 'date'.... unless a written claim is lodged on us for payment under this guarantee within six months from the date of expiry of this guarantee i.e. on or before ...'date' + '6 month'..... all your rights under this guarantee shall be forfeited and we shall be deemed to have released and discharged from all liabilities thereunder. irrespective of whether or not the original guarantee is returned to us.
15. We have power to issue this guarantee in your favour under the memorandum and articles of association of the bank and the undersigned has full power to execute this guarantee under the power of attorney granted to them by the bank.

FOR AND ON BEHALF OF
'name of bank'



ISO 9001 Company

Heavy Engineering Corporation Limited
(A Govt. of India Enterprise)
Heavy Machine Building Plant
Ancillary & Contract Department

'signature with seal'

Annexure-6

Instructions for Online Bid Submission

The bidders are required to submit soft copies of their bids electronically on the CPP Portal, using valid Digital Signature Certificates. The instructions given below are meant to assist the bidders in registering on the CPP Portal, prepare their bids in accordance with the requirements and submitting their bids online on the CPP Portal.

More information useful for submitting online bids on the CPP Portal may be obtained at: <https://eprocure.gov.in/eprocure/app>.

REGISTRATION

- (i) Bidders are required to enroll on the e-Procurement module of the Central Public Procurement Portal (URL: <https://etenders.gov.in/eprocure/app>) by clicking on the link "Online bidder Enrollment" on the CPP Portal which is free of charge.
- (ii) As part of the enrolment process, the bidders will be required to choose a unique username and assign a password for their accounts.
- (iii) Bidders are advised to register their valid email address and mobile numbers as part of the registration process. These would be used for any communication from the CPP Portal.
- (iv) Upon enrolment, the bidders will be required to register their valid Digital Signature Certificate (Class II or Class III Certificates with signing key usage) issued by any Certifying Authority recognized by CCA India (e.g. Sify / nCode / eMudhra etc.), with their profile.
- (v) Only one valid DSC should be registered by a bidder. Please note that the bidders are responsible to ensure that they do not lend their DSC's to others which may lead to misuse.
- (vi) Bidder then logs in to the site through the secured log-in by entering their user ID / password and the password of the DSC / e-Token.

SEARCHING FOR TENDER DOCUMENTS

- i) There are various search options built in the CPP Portal, to facilitate bidders to search active tenders by several parameters. These parameters could include



ISO 9001 Company

Heavy Engineering Corporation Limited
(A Govt. of India Enterprise)
Heavy Machine Building Plant
Ancillary & Contract Department

Tender ID, Organization Name, Location, Date, Value, etc. There is also an option of advanced search for tenders, wherein the bidders may combine a number of search parameters such as Organization Name, Form of Contract, Location, Date, Other keywords etc. to search for a tender published on the CPP Portal.

- ii) Once the bidders have selected the tenders they are interested in, they may download the required documents / tender schedules. These tenders can be moved to the respective 'My Tenders' folder. This would enable the CPP Portal to intimate the bidders through SMS / e-mail in case there is any corrigendum issued to the tender document.
- iii) The bidder should make a note of the unique Tender ID assigned to each tender, in case they want to obtain any clarification / help from the Helpdesk.

PREPARATION OF BIDS

- i) Bidder should take into account any corrigendum published on the tender document before submitting their bids.
- ii) Please go through the tender advertisement and the tender document carefully to understand the documents required to be submitted as part of the bid. Please note the number of covers in which the bid documents have to be submitted, the number of documents - including the names and content of each of the document that need to be submitted. Any deviations from these may lead to rejection of the bid.
- iii) Bidder, in advance, should get ready the bid documents to be submitted as indicated in the tender document / schedule and generally, they can be in PDF / XLS / RAR formats. Bid documents may be scanned with 100 dpi with black and white option which helps in reducing size of the scanned document.
- iv) To avoid the time and effort required in uploading the same set of standard documents which are required to be submitted as a part of every bid, a provision of uploading such standard documents (e.g. PAN card copy, annual reports, auditor certificates etc.) has been provided to the bidders. Bidders can use "My Space" or "Other Important Documents" area available to them to upload such documents. These documents may be directly submitted from the "My Space" area while submitting a bid, and need not be uploaded again and again. This will lead to a reduction in the time required for bid submission process.



ISO 9001 Company

Heavy Engineering Corporation Limited
(A Govt. of India Enterprise)
Heavy Machine Building Plant
Ancillary & Contract Department

Note: My Documents space is only a repository given to the Bidders to ease the uploading process. If Bidder has uploaded his Documents in My Documents space, this does not automatically ensure these Documents being part of Technical Bid.

SUBMISSION OF BIDS

- i) Bidder should log into the site well in advance for bid submission so that they can upload the bid in time i.e. on or before the bid submission time. Bidder will be responsible for any delay due to other issues.
- ii) The bidder has to digitally sign and upload the required bid documents one by one as indicated in the tender document.
- iii) Bidder has to select the payment option as "offline" to pay the tender fee / EMD as applicable and enter details of the instrument.
- iv) Bidder should prepare the EMD as per the instructions specified in the tender document. The original should be posted/couriered/given in person to the concerned official, latest by as specified in the tender documents. The details of the DD / any other accepted instrument, physically sent, should tally with the details available in the scanned copy and the data entered during bid submission time. Otherwise the uploaded bid will be rejected.
- v) Bidders are requested to note that they should necessarily submit their financial bids in the format provided and no other format is acceptable. If the price bid has been given as a standard BOQ format with the tender document, then the same is to be downloaded and to be filled by all the bidders. Bidders are required to download the BOQ file, open it and complete the white coloured (unprotected) cells with their respective financial quotes and other details (such as name of the bidder). No other cells should be changed. Once the details have been completed, the bidder should save it and submit it online, without changing the filename. If the BOQ file is found to be modified by the bidder, the bid will be rejected.
- vi) The server time (which is displayed on the bidders' dashboard) will be considered as the standard time for referencing the deadlines for submission of the bids by the bidders, opening of bids etc. The bidders should follow this time during bid submission.
- vii) All the documents being submitted by the bidders would be encrypted using PKI encryption techniques to ensure the secrecy of the data. The data entered cannot be viewed by unauthorized persons until the time of bid opening. The



ISO 9001 Company

Heavy Engineering Corporation Limited
(A Govt. of India Enterprise)
Heavy Machine Building Plant
Ancillary & Contract Department

confidentiality of the bids is maintained using the secured Socket Layer 128 bit encryption technology. Data storage encryption of sensitive fields is done. Any bid document that is uploaded to the server is subjected to symmetric encryption using a system generated symmetric key. Further this key is subjected to asymmetric encryption using buyers/bid openers public keys. Overall, the uploaded tender documents become readable only after the tender opening by the authorized bid openers.

- viii) The uploaded tender documents become readable only after the tender opening by the authorized bid openers.
- ix) Upon the successful and timely submission of bids (i.e. after Clicking "Freeze Bid Submission" in the portal), the portal will give a successful bid submission message & a bid summary will be displayed with the bid no. and the date & time of submission of the bid with all other relevant details.
- x) The bid summary has to be printed and kept as an acknowledgement of the submission of the bid. This acknowledgement may be used as an entry pass for any bid opening meetings.

ASSISTANCE TO BIDDERS

- i) Any queries relating to the tender document and the terms and conditions contained therein should be addressed to the Tender Inviting Authority for a tender or the relevant contact person indicated in the tender.
- ii) Any queries relating to the process of online bid submission or queries relating to CPP Portal in general may be directed to the 24x7 **CPP Portal** Helpdesk.

Note: For any query related to registration and processing on the Portal please visit
FAQ available at

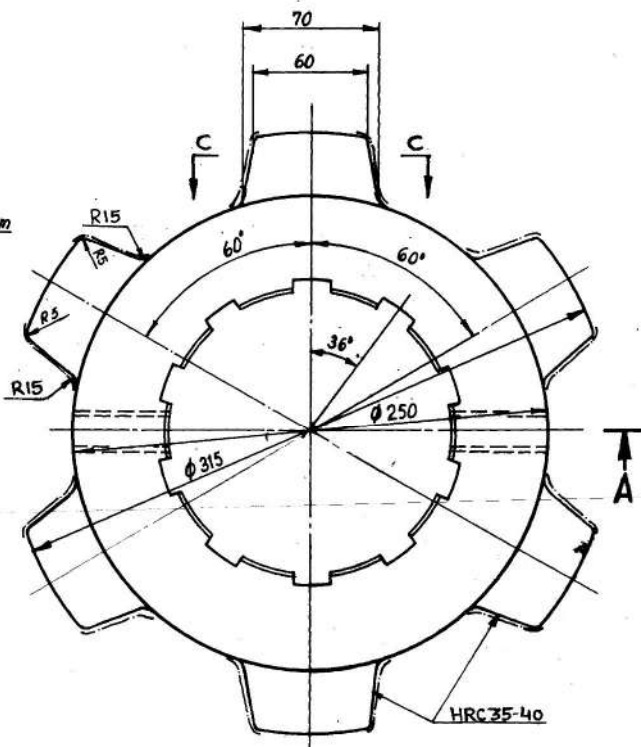
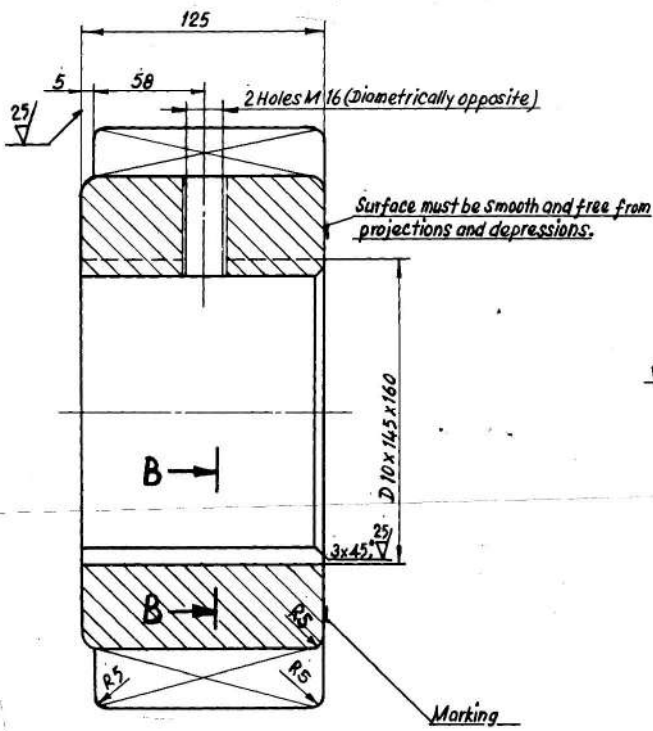
<https://etenders.gov.in/eprocure/app?page=FAQFrontEnd&service=page>

You may call the Helpdesk. The 24 x 7 Help Desk Numbers are
0120-4200462, 0120-4001002, 0120-4001005, 0120-6277787
E-Mail: support-eproc@nic.in

Or

You may call to our service provider, Mr.Kushal (7903884318)
E-Mail: kushalniccl@gmail.com

Section A-A



Technical Instructions:

1. The casting should be sound and free from blow holes, cracks, sand inclusions and other casting defects.
2. The casting should be nicely fettled and cleaned. The Jaw surface should be sand blasted.
3. The test bar should be integrally cast and should be hardened and tempered along with the job to ensure the mechanical properties as given below.
4. The hardness value is to be cross checked on the job.
5. No repair by welding without prior information and permission is permitted.
6. The side surfaces of the jaws should be hardened to Rc 35-40.
7. Displacement of jaws from their nominal position should not be more than 2mm.
8. Maximum deviation in dimension of jaws (60 and 70) should not exceed 2mm. for one detail.
9. Radial pulsation of the out side surface of jaw ($\phi 315$) with respect to $\phi 145 A_5$ should be checked. It should be within 1mm and the excess should be machined off.
10. Centre of holes M16 must coincide with the centre of the projected portion of the spline as shown in the drawing. Displacement of the holes M16 should be within 0.5mm from their nominal position.

- (a) Note:- (1) Hardness after hardening and tempering to be HB 220-260
- (2) Charpy Impact (U-Notch, 2mm deep) - 4 kgm/cm² - for reference.

REVALIDATED
 Bureau ME
 Eng & Cr. 12-8-98
 24-11-12

Note on Material:- (a)

1. Composition:-

C	Mn	Si	Cr	Ni	SP/Each
0.32-0.40	0.4-0.9	0.2-0.52	0.3 Max.	0.3 Max.	0.05 Max.

2. Mechanical Properties after Hardening and Tempering

Tensile Strength (MPa) Min.	Yield Strength (MPa) Min.	Elongation % min.	% Reduction in area min.	Impact min. (J)	Hardness (BHN)
550	350	16	20	30	179-269

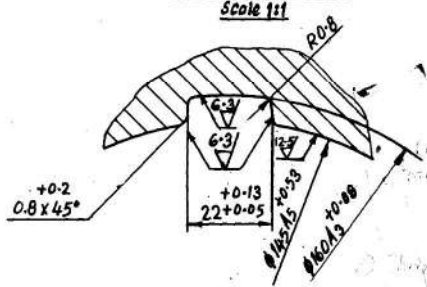
3. In case the detail is decided to be procured under normalised condition to be subsequently hardened and tempered in HEC, the relevant condition to be obtained from RPD, HMB.

- Note:- (a)
1. This drawing is same as 1006-18-305 except for material which was C.S.G. IS: 2644-64 replace of material given in this drawing.
 2. This drawing is same as SK 10-00534.
- Material:- Gr 2
 IS: 2707-98

Section C-C



Section B-B



INDEX NO.	REVISION	SIGNATURE	DATE
(1)	Wt. changed	WPS	11-7-99
(5)	Material changed	WPS	12-8-98

Co-ordinated by:-

PROCESS	(NAME)	(SIGN)
WELDING		
TECH:	(NAME)	(SIGN)

IDDS: 18-304
SK 10-00534

Driven Half Coupling 1040-18-312

MATERIAL: Steel Casting
 per note

SCALE: 1:2 WEIGHT IN KG: 3.42

HMB NOV-92

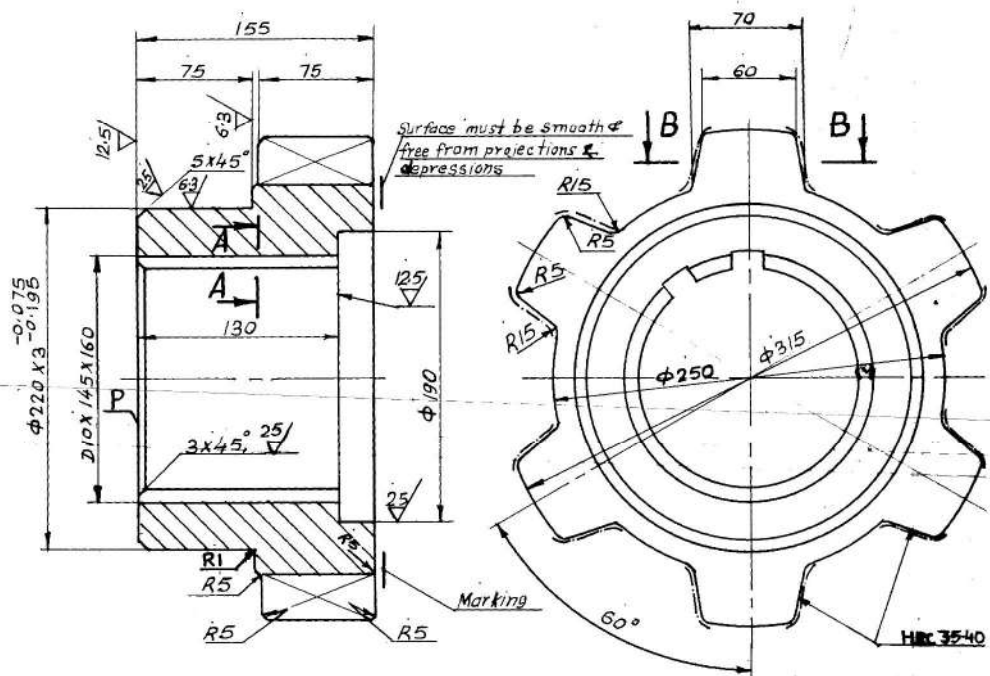
H.E.C. LTD. BANCHI

10418311

to the rest

Technical Instructions

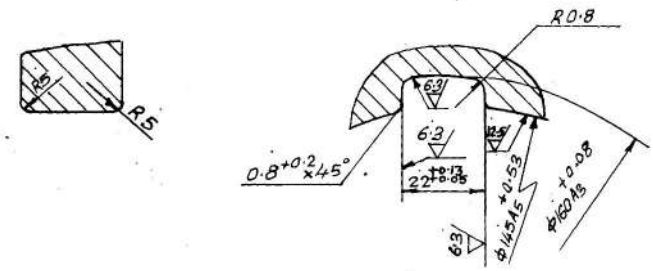
- The casting should be sound and free from blow holes, cracks, sand inclusions and other casting defects.
- The casting should be nicely fettled and cleaned. The jaw surfaces should be sand blasted.
- The test bar should be integrally cast and should be hardened and tempered along with the job to ensure the mechanical properties as given below.
- The hardness value is to be cross-checked on the jaws.
- No repair by welding without prior information and permission is permitted.
- The side surfaces of the jaw should be hardened to HRC 35-40.
- Displacement of jaws from their nominal position should not be more than 2mm.
- Maximum deviation in dimension of jaws (60±10) should not exceed 2mm for any detail.
- Radial pulsation of the outside surface of jaw (φ315) w.r.t φ145 AS should be checked. It should be within 1mm and the cast should be machined off.
- Run-out of φ220 X3 w.r.t φ160 AS should be within 0.1mm.
- Run-out of surface 'P' w.r.t φ160 AS should be within 0.1mm.



Section B-B

Section A-A

Scale 1:1



NOTE ON MATERIAL

1. Composition

C	Mn	Si	Cr	Ni	S & P each
0.32-0.40	0.4-0.9	0.20-0.32	0.3max	0.3max	0.05max

2. Mechanical Properties after Hardening & Tempering:-

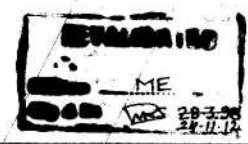
Tensile strength (MPa)	Yield stress (MPa)	Elongation (min)	Reduction in area (%)	Impact (J)	Hardness (HRC)
550	350	16	20	30	17-26

3. In case the detail is decided to be procured under normalised condition to be subsequently hardened and tempered in HRC, the relevant condition to be obtained from design dept.

Note: (1) Hardness after hardening & tempering to be HB 220-260
 (2) Charpy Impact (U-notch 2mm deep) - 4kg-w/cm² for reference.

Note:-(a)

- This drg. is same as 1066-18-304 except for material which was C.S.Gr-1, IS:2644-64.
- This drg. is same as SK10-00533.



Note:-(a)

- This drg. is same as 1006-18-304 except for material which was C.S.Gr-1, IS: 2644-64 in place of material given in this drg.
- This drg. is same as 1040-18-306 except for splines which was involute in place of straight splines given in this drg.

INDEX NO.	REVISION	SIGNATURE	DATE
(1)	Weight changed		1.7.09
(2)	Mat. changed		12.8.98

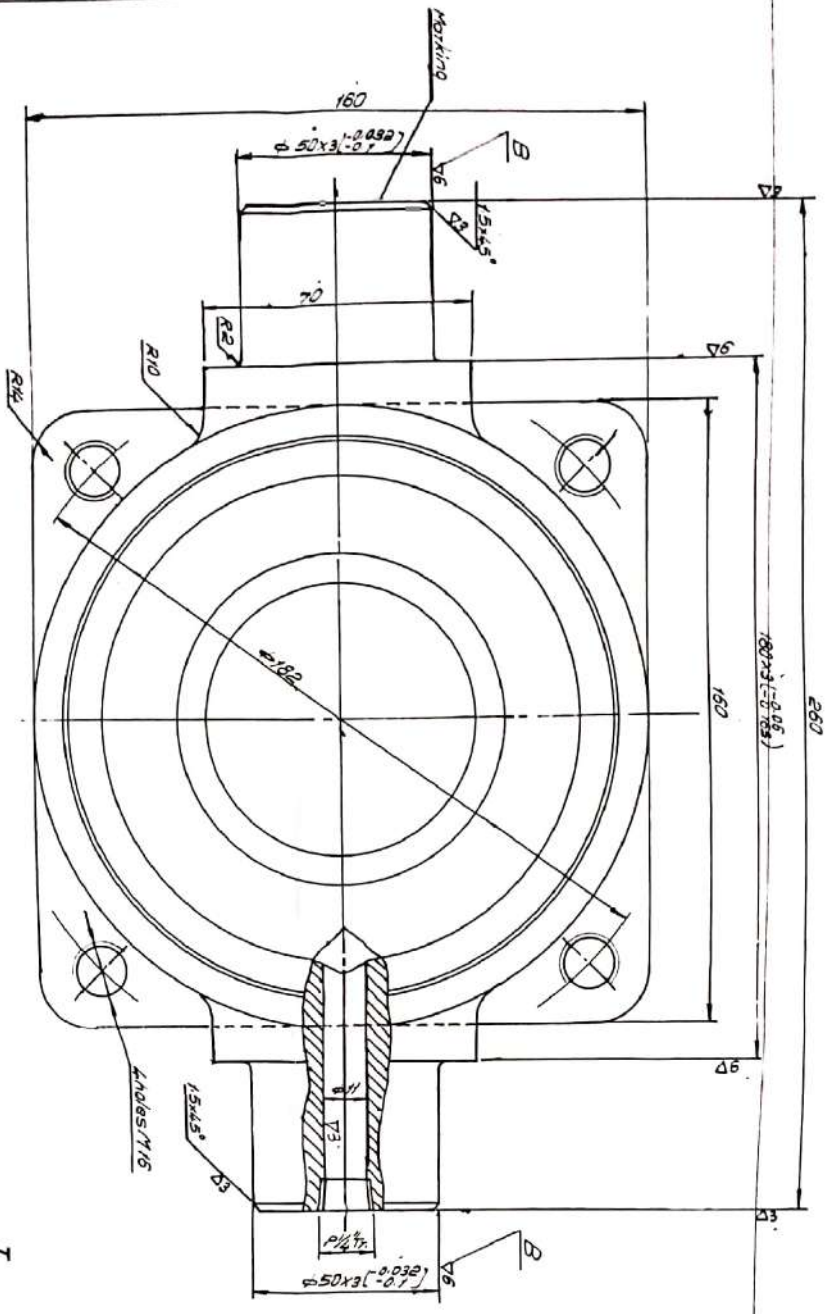
Co-ordinated by:

PROCESS	(NAME)	(SIGN)
WELDING		
TECH:		

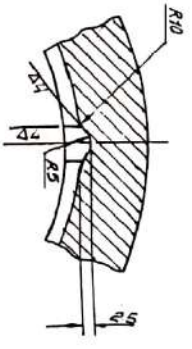
1006-18-304 1040-18-306 SK10-00533	Driving Half Coupling	1040-18-311
BUREAU CHIEF	B. NATH	SCALE: 1:2.5
GROUP LEADER	P. C. Agarwal	WEIGHT IN KG: 20.36
DESIGNER	S. N. Choudhary	DATE: Nov. 98
DRAWN BY	H. B. Roy	Rev: A/B
REF. DRG. NO.	NORM. CHG.	

Technical Instructions

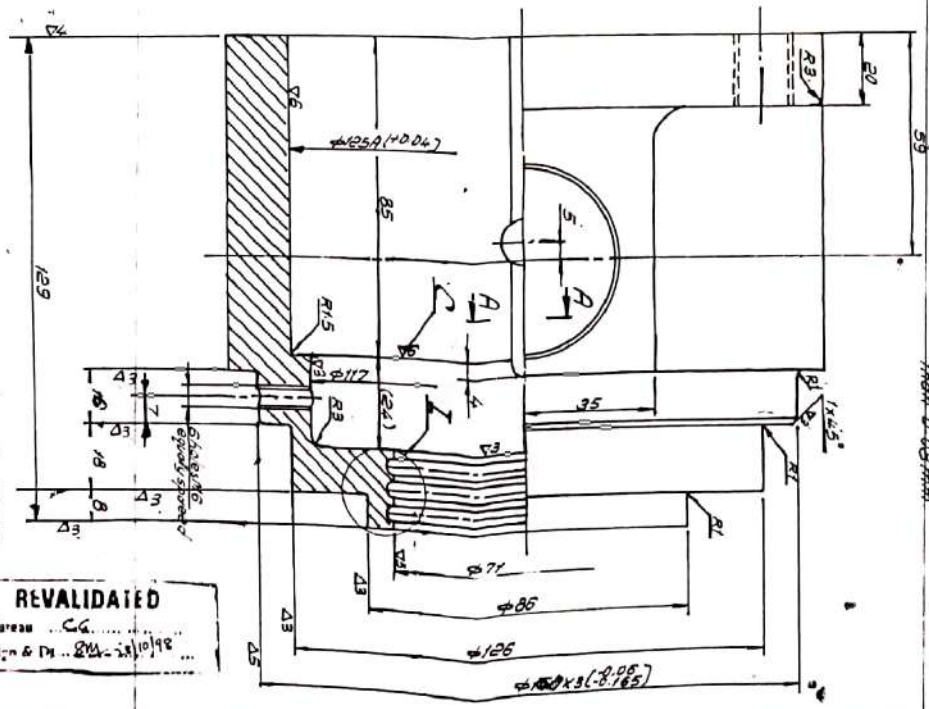
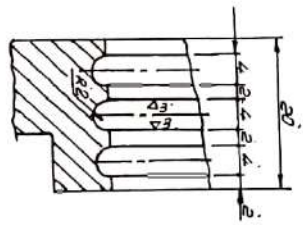
1. Round runout of surfaces 'B' should not be more than 0.034mm.
2. Buff pulsation of the surface 'C' w.r.t. the axis of the body to be not more than 0.018mm.
3. Ovality of the surface $\phi 125.9(±0.04)$ to be not more than 0.02mm.
4. Allowable shift in axis of $\phi 125.9(±0.04)$ should not be more than 0.03mm.



Section A-A



Scale 2:1

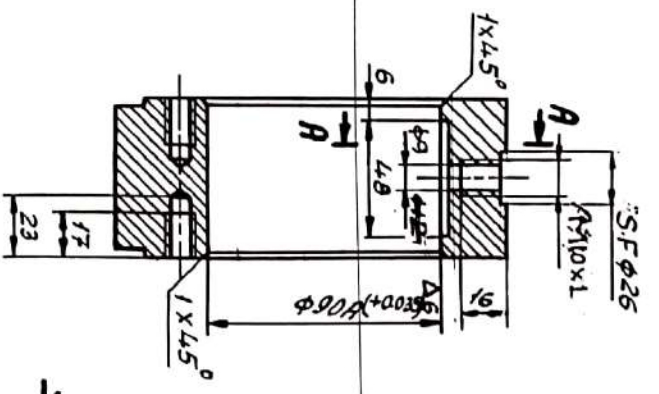
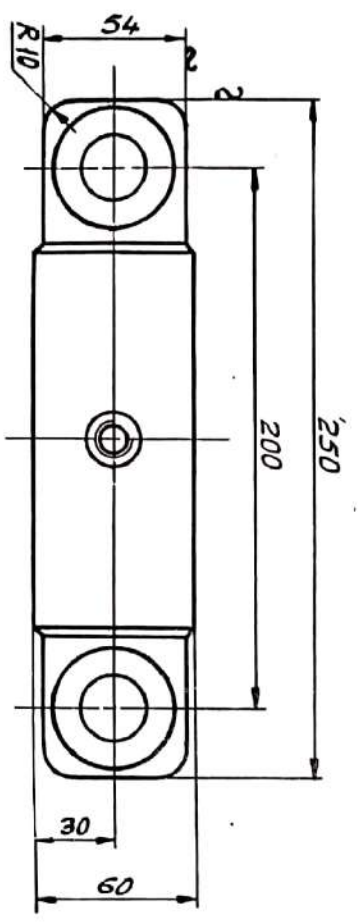
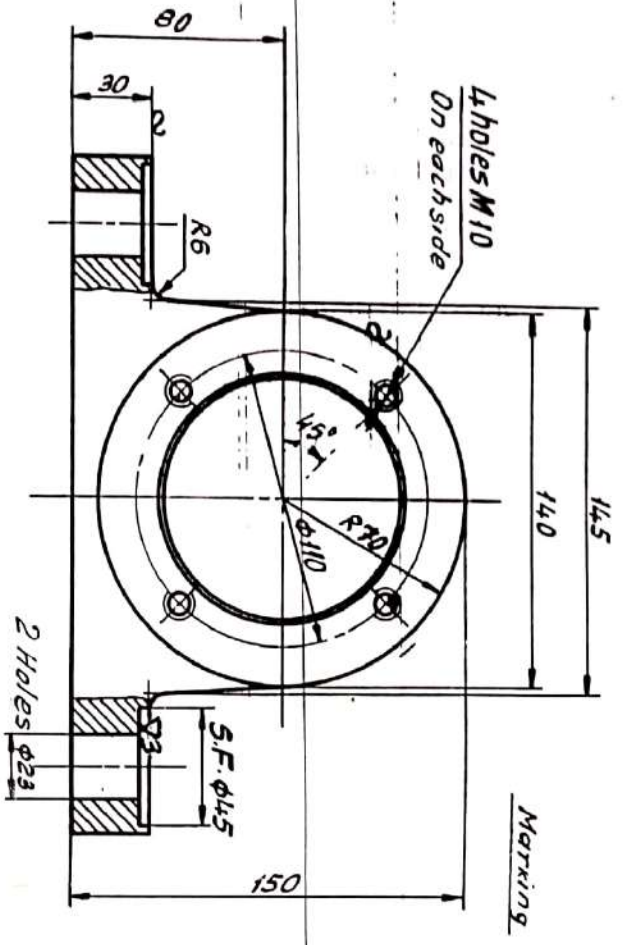


*C5280-520W
IS: 1030-89

REVALIDATED
Bureau of Standards
New Delhi

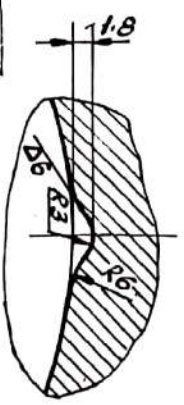
220.03.17	Body	Scale - 1:1	Material - S.S. 304
DESIGNED BY	DR. S. S. SINGH	DATE	15.10.89
CHECKED BY	M. S. RAO	DATE	15.10.89
APPROVED BY	M. S. RAO	DATE	15.10.89
DESIGNED BY	DR. S. S. SINGH	DATE	15.10.89
CHECKED BY	M. S. RAO	DATE	15.10.89
APPROVED BY	M. S. RAO	DATE	15.10.89
DESIGNED BY	DR. S. S. SINGH	DATE	15.10.89
CHECKED BY	M. S. RAO	DATE	15.10.89
APPROVED BY	M. S. RAO	DATE	15.10.89

02:50:2121



Section A-A
Scale 2:1

REVALICATED
 Duran ... C₄
 S.M. 11/1/98
 S.M. 11/1/98
 S.M. 11/1/98



* FG 260
 Is: 210-93

▽3 the rest.

Index	No.	Revision	Signature	Date

3-93661

1212.06.04.4

1212.05.121

Ref. Dwg. No.

Bureau Chief: P.P. Abraham

Group Leader: P.S. Joseph

Designer: S.R. Sharma

Drawn by: S.R. Sharma

Norm. Cont.

Housing

Scale: 1:2

Weight in kg: 7

Material: **FG 260**

1212.05.20

HMB

H.E.C. LTD., RANCHI

12-3-419

0-208

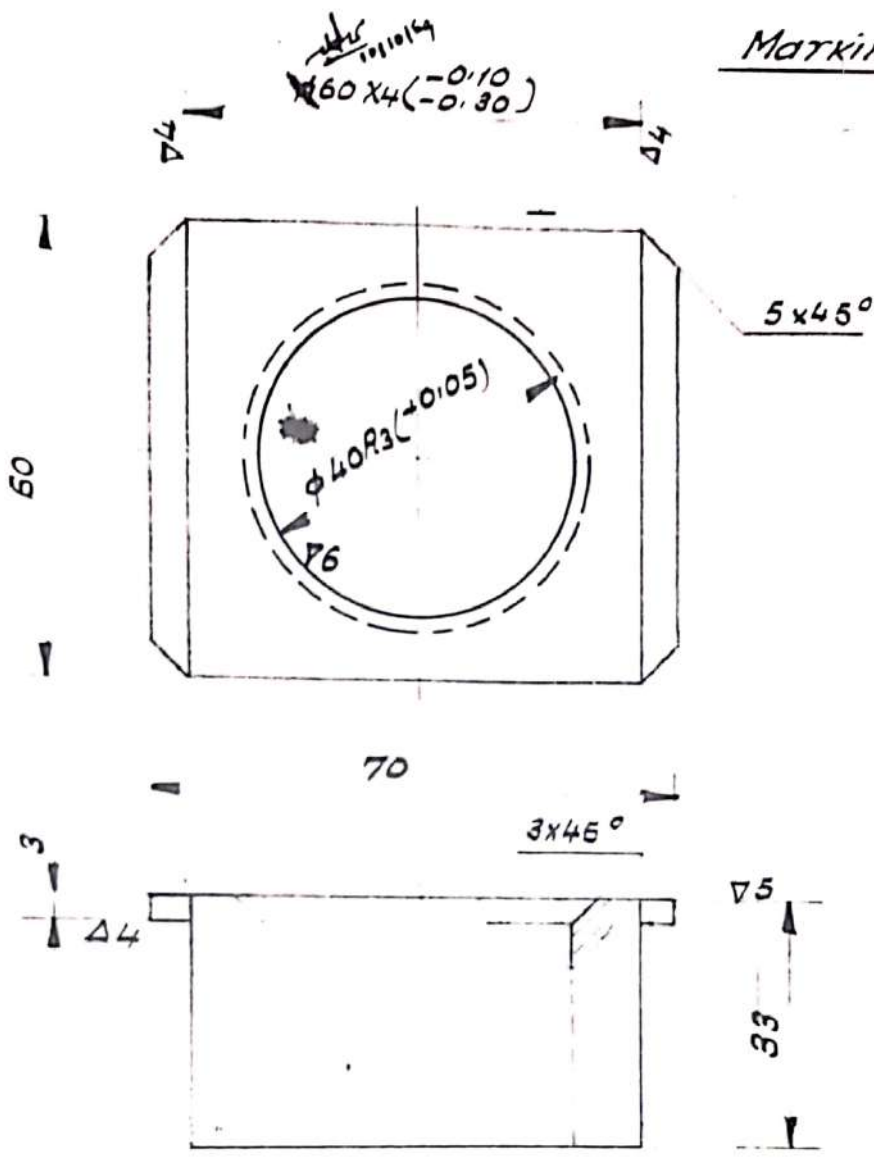
Oct. 68

REV. 0

1212.05.24

rather rest

Marking



REVALIDATED
 Bureau *C4*
 Sign & Dt *SM. 28.10/98*
4/6/04

* **FG 260**
 IS: 210-93

Form 149

4-208912

1212.05.24

Slider

Material: *36-6-88*

Weight in Kg: - 0.7

1212.06.04A
 1212.05.24
 Ref. Des. No.

Bureau Chief	<i>Abraham AP</i>
Group Leader	<i>S. Ahmed</i>
Designer	<i>P. N. Prasad</i>
Drawn by	<i>P. N. Prasad</i>
Sign. Clk.	

Scale: -1:1

MIND
 M. S. C. LTD., RANCHI

Oct. 88

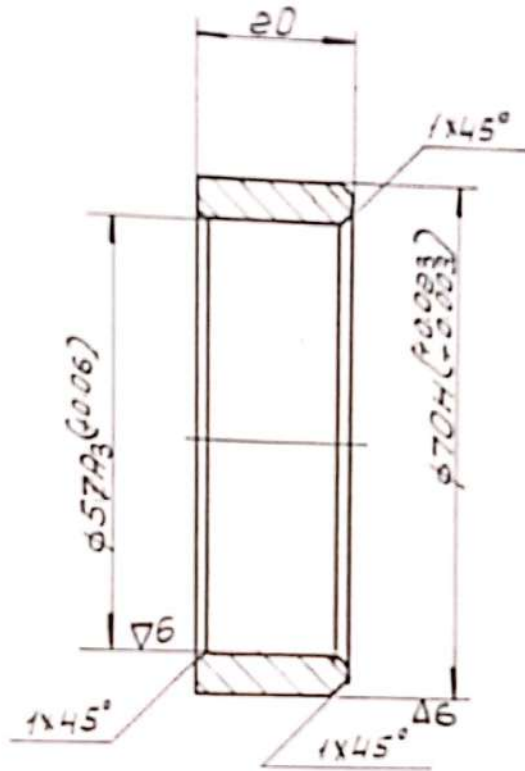
Rev.

1212.04.14

Q3 The test

Mark on tag.

Form 14B



REVALIDATED

CG

Signature and date: 21/09/09

Material:- FG 260
15:210-93

4-230255

1212.04.14

Bush

Material: * C-14025
15-210-62

Weight in Kg: 0.18

Bureau Chief	PP RABDAN
Group Leader	RS JOSEPH
Designer	M N FORUT
Drawn by	M N FORUT
Norm Cont.	

Signature: [Handwritten]

Signature: [Handwritten]

Signature: [Handwritten]

Scale: 1:1

HIND

H. E. C. LTD., RANCHI

Sept 68

REV-0

1212.04.00
Ref. Dwg. No.

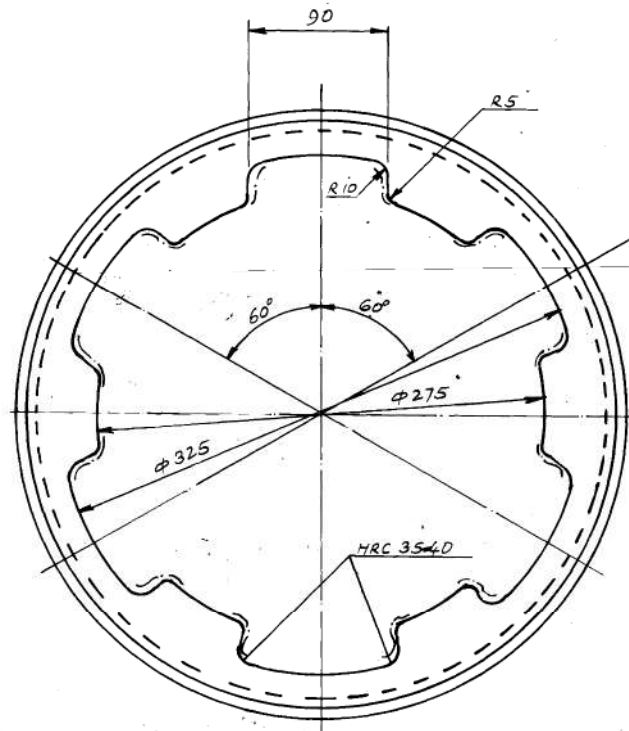
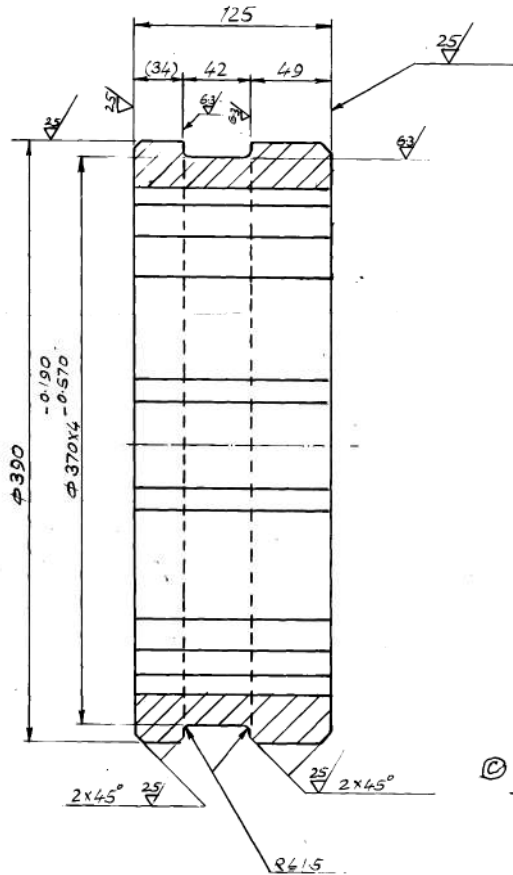
12-4-1968

12/11

1040.18.305

Technical Instructions

1. Inside surfaces should be sand blasted.
2. Displacement of jaws from the nominal position should not be more than 2 mm.
3. Maximum deviation in dimension of jaw-groove (90) should not exceed 2 mm for one detail.
4. Run-out of surface $\phi 370 \times 4$ w.r.t $\phi 275$ should not be more than 1 mm.
5. Non-parallelity of side surfaces of jaw-grooves w.r.t the axis of $\phi 275$ should not be more than 1 mm over the length of 125 mm.
6. Side surfaces of jaw-groove should be hardened to RC 35-40.
7. Surfaces to be hardened must be smooth and free from projections and depressions. The surfaces should also be free from all castings defects like sand inclusions, blow holes, fins, cracks, hard spot etc.
8. The test bar should be integrally cast and should be hardened and tempered along with the job to ensure the mechanical properties as given below. The hardness value is to be cross-checked on the job.



© Note:

1. Hardness after hardening and tempering to HB 220-260
2. Charpy Impact (U-notch 2 mm deep) - 4 kgf-m/cm²

Note on Pattern

Pattern for old drg. No-1006/18.307 may be used

NOTE ON MATERIAL

1. Composition

C	Mn	Si	Cr	Ni	S & P
0.32-0.40	0.4-0.9	0.2-0.52	0.3 Max.	0.3 Max.	0.05 Max.

2. Mechanical properties after hardening & tempering

Tensile strength (MPa min)	Yield strength (MPa min)	Elongation (%)	Reduction of area (%)	Impact (J)	Hardness (HRC)
550	350	16	20	30	177-269

3. In case the detail is decided to be procured under normalised condition to be subsequently hardened and tempered in H.C, the relevant condition to be obtained from 20179 Ap11

REVALIDATED
Bureau - EXCY. I/ME
Sig. & Dt. 16.8.98
24.11.12

Material - Gr 2
IS: 2707-96

Tracing Compared
Co-ordinated by: 11.8.99

1040.18.305

Material: 1040.18.305

Scale: 1:2.5 Wt. in kg: 4300.

Slider Jaw

PROCESS (NAME) (SIGN) एच.ई.सी. 1080.30.07

WELDING TECH (NAME) (SIGN) 1040.18.400, 1040.18.300, 1040.18.300

विभागाध्यक्ष N.K. Sinha

प्रशाखा प्रमुख S.N. Chaudhary

एच.सी.ई. S.N. Chaudhary

डिजाइनर R. Sangar

चेक करेण्डा S. Prasad

एच.एम.बी., रांची Aug/99

HMB

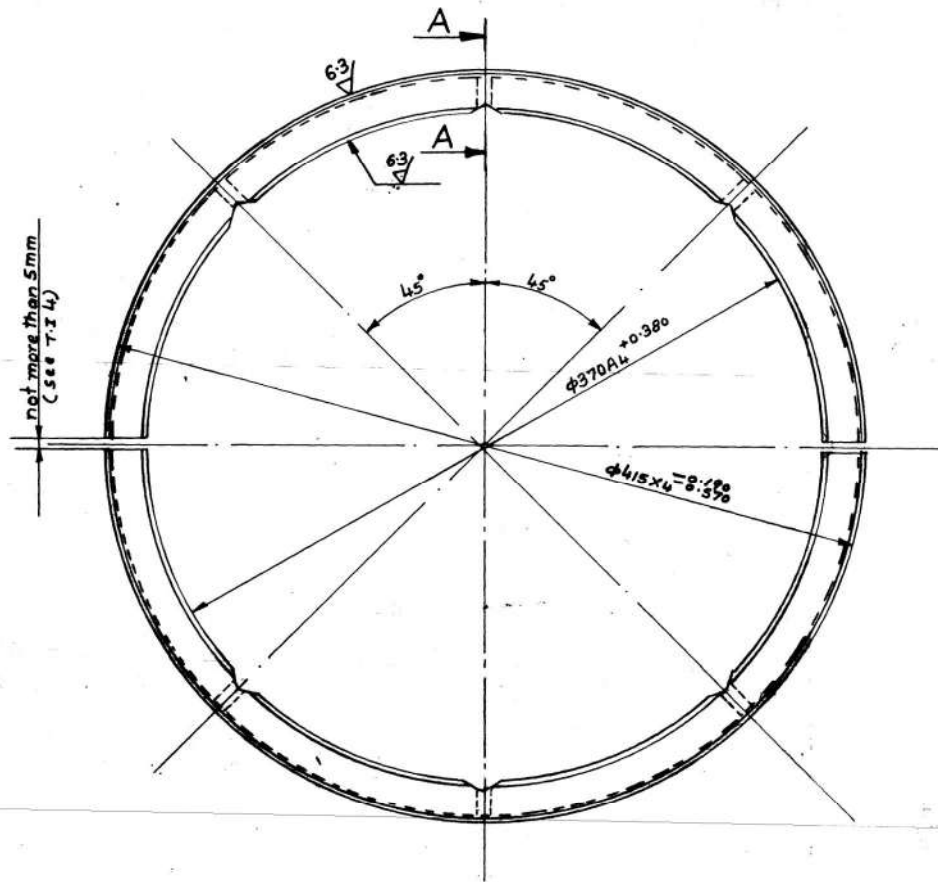
Rev. 1

Index	No.	Revision	Signature	Date
C	1	None added		
B	1	Revised as per		
A	4	Material change	12.8.98	

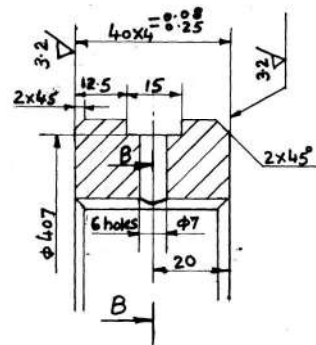
16-2-2920

10-2-1668

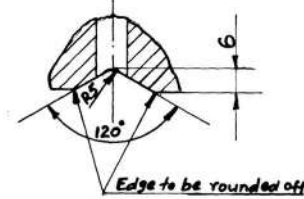
FORM NO. 135



Section AA
Scale 1:1



Section BB
Scale 1:1



Technical Instructions

1. Surface $\phi 370A_4$ should be Concentric Within 0.08mm W.R.T surface $\phi 415x_4$.
2. Ovality of surfaces $\phi 370A_4$ $\phi 415x_4$ should be Within half the tolerances.
3. The detail should have hardness of HB 180-230.
4. After machining, the detail is to be parted into two halves
5. All sharp corners must be removed after parting.

Note on Pattern:

Pattern for old dno. NO. 1006.18.305 may be used.

REVALIDATED
Bureau Exec-I/ME
Sgt & Dt. 23/10/83

Index No.	Revision	Signature	Date

1080-30-05	Slider		FG 260 15:210-83	1040-18-308
Bureau Chief	N. K. Sinha	Scale: 1:2	Weight in kg. 2.5	Material: C-13 Steel
Gr. Ld/Chkd. by	S. Nath			
Designed by	R. N. Chatterjee			
Drawn by				
Ref. Drg. No.	Norm. Chkd.			

10-2-1671 10-2-1671