



ISO 9001 Company

Heavy Engineering Corporation Limited
(A Govt. of India Enterprise)
Heavy Machine Building Plant
Ancillary & Contract Department

OPEN TENDER

No.ACD/HMB/18/SF/2052/OTE-5383

Date: 29/05/2018

HEC intends to procure the following item. Interested firms are requested to submit their most competitive offer for supply of following item as per the technical Instructions and the terms & conditions given below.

Sl. No.	Drg.No.	Desc.	Qty	Wt/pc in Kg	Material Grade
1	2116.01.430	Stamp Forged Grate Bar	8260	6.10	AISI-430 or X07Cr17 IS:1570P (5)-85
2	2116.01.431	Stamp Forged Grate Bar	16520	6.10	AISI-430 or X07Cr17 IS:1570P (5)-85
3	2116.01.432	Stamp Forged Grate Bar	200	4.30	AISI-430 or X07Cr17 IS:1570P (5)-85
4	2116.01.433	Stamp Forged Grate Bar	300	4.30	AISI-430 or X07Cr17 IS:1570P (5)-85

Tender on sale : **up to 18/06/2018 upto 11:00 AM**
Schedule of Tender receipt : **by 18/06/2018, upto 1:00 PM**
Opening of tender : **on 18/06/2018 at 3:00 PM**
Tender Fee (Non-refundable) : **Rs 1,500/- in the form of DD in favor of Heavy Engineering Corporation Ltd, payable at SBI, Hatia, Ranchi**

Submission of offer

The complete tender is to be submitted in a separate sealed envelope super scribing the tender no., before the scheduled date of submission of tender in the tender box at the office of ACD/ HMBP, Room no. 28, HMBP ADM Building, HEC Ltd, Ranchi 4. If the tender is bulky & voluminous the tenders are to be submitted at office of MM/HMBP

The offer has to be given in two part bids. Part-1 of the offer will contain the technical and commercial aspects as asked in part-I of the enquiry. This completed schedule along with EM deposit (Clause No. 10) will form Part-I of the offer. This Part-I should be kept in one envelope and super scribe name of the enquiry "Techno-Commercial Bid & EMD (Part-I)" over the envelope. Part-II of the offer will contain Price Bid which is to be given in the format as given as Part-II of the enquiry. This price bid should be kept in a separate envelope and super scribe name of the enquiry and Price Bid Part-II over the envelope. Both the sealed envelopes should be kept in one single envelope and super scribe name of the enquiry and opening date over this envelope also mention part I & II over this envelope. The completed offer must reach us on or before **18/06/2018 upto 1 PM.**

Part (I) and Part (II) should be strictly submitted in the format as given in this enquiry as Annexure – 1 and Annexure – 2 respectively.



ISO 9001 Company

Heavy Engineering Corporation Limited
(A Govt. of India Enterprise)
Heavy Machine Building Plant
Ancillary & Contract Department

Manufacturing Facilities Required: Bidders must have the following manufacturing facilities

1. Die forging facilities with minimum 5T capacity of its own.
2. Heat Treatment facility with good temperature controller up-to 1200°C of its own.
3. Stainless steel cutting facilities of its own **or** any tie up.
4. Mechanical testing facilities such as UT, UTM ...etc of its own **or** from any NABL accredited lab.
5. Die design and manufacturing facilities of its own **or** any tie up.

Instructions:

1. Grate Bars are to be Stamp Forged & Supplied as per HEC drgs. and its technical instructions.
2. Bidders have to submit the details of Forgings facilities along with Techno - Commercial Bid Part-1. In case of non submission or incomplete Technical aspects with Techno-Commercial Bid Part-1 the offer may not be considered for the said Enquiry.
3. Drawings are available in our office (ACD)/HMBP, HEC Ltd. as well as at Kolkata Branch office 77, Park Street & Delhi Branch office E-84, Grater Kailash-III, Masjid Moth for study on any working day before opening of tender.

The supplier has to give identification mark (to be indicated afterwards) on each item.

Terms & conditions

1. The rate quoted shall be Inclusive of all packing & forwarding, Freight charges & insurance on F.O.R HMBP Stores.
2. The Price quoted by the tenderer should be exclusive of GST. The rate and nature of GST applicable should be shown separately. GST will be paid to the seller at the rate at which it is liable to be assessed or has actually been assessed on the date of supply provided the transaction of sale is legally liable to GST and within the delivery period.
3. The rates quoted must be firm and the offer made must remain valid for acceptance up to **three months** from the date of opening of the tender. The rate quoted must be in word and figure as well. In case any discrepancy in rate given in figures and word, the rate given in words will prevail.
4. **Payment terms:** 90% payment along with 100% taxes and duties within two months of receipt of material in HMBP and 10% against C.R.V (to be issue by our Stores after receipt and acceptance of material at HMBP) and submission of PBG as per clause 18. In case of any deviation by the bidders necessary loading @ 1% Per Month (12% max Per Year) on quoted price shall be applicable and L-1 firm will be decided based on landed cost after loading on quoted price.
5. **Delivery Schedule –within 60 days from the date of issue of PO.**
In case the delivery schedule is not acceptable to any bidder, the Price bid of the bidder may not be opened for the said Enquiry.
6. Full particular i.e. specification, literature and or drawing wherever applicable should be submitted along with the quotation.
7. The Corporation does not pledge itself to accept the lowest or any tender and reserve to itself the right of accepting the whole or any part of tender or portion of the quantity offered and you shall supply the same at the rate quoted.



ISO 9001 Company

Heavy Engineering Corporation Limited
(A Govt. of India Enterprise)
Heavy Machine Building Plant
Ancillary & Contract Department

8. Inspection of the manufactured items will be done by QCA/HMBP or his authorized representative at supplier's works, Necessary tools and measuring instruments to be provided by the supplier.
9. Corporation reserves the right to call for and examine at any time the books of accounts and other document and papers of the firm for the purpose of ascertaining whether any excess payment has been made or the firm likely to be received / received undue benefit out of execution of the particular contract.
10. **Earnest Money Deposit -Rs 7,50,000/-** will have to be deposited by demand draft on any of the nationalized banks in favor of "Heavy Engineering Corporation Limited, payable at Ranchi" or in the form of Bank Guarantee as per annexure-3 or by NEFT/RTGS to HEC's A/c .The EMD in form of DD/BG/Receipt of NEFT/RTGS will be enclosed in the Techno- Commercial bid (Part 1) only. Exemption of EMD shall be applicable on submission of valid SSI/NSIC/MSME certificate and as per prevailing govt guidelines. SSI/NSIC/MSME Certificate to be enclosed in Techno Commercial Bid Part 1.
11. **Tender Fee –Rs 1500/-** will have to be deposited by demand draft on any of the nationalized banks in favor of "Heavy Engineering Corporation Limited, payable at Ranchi. Exemption of Tender Fee shall be applicable on submission of valid SSI/NSIC/MSME certificate and as per Govt rules. SSI/NSIC/MSME Certificate to be enclosed in Techno Commercial Bid Part 1.
12. **Security deposit (SD)** – Successful tenderers will have to deposit security equal to 5 % of the value of the contract within the desired period i.e. within 21 days of PO date. Failing this, the contract will be cancelled at the risk and expenses of the suppliers. SD will have to be deposited by demand draft on any of the nationalized banks in favor of "Heavy Engineering Corporation Limited, payable at Ranchi" or in the form of Bank Guarantee as per format at annexure-4 or by NEFT/RTGS to HEC's A/c. Exemption of SD shall be applicable as per prevailing govt guidelines.
13. Delivery : The time for and the date of delivery of the Stores stipulated in the acceptance of tender shall be deemed to be the essence of the Contract and delivery must be completed not later than the dates specified therein. Otherwise:
 - a. The purchaser to recover from the Contractor a sum of 0.5% per week (Completed week) of the price of the Stores (upto maximum 10%) as liquidated damages, which the contractor has failed to deliver as aforesaid or
 - b. The purchaser may procure the undelivered stores/ similar items from elsewhere, without notice to the contractor at the risk of the contractor without canceling the contract in respect of the consignment not yet due for delivery or
 - c. To cancel the contract or a portion thereof.
14. There is no obligation on our part to accept delayed / late tenders. Tenders received after the due date of opening are liable to be summarily rejected.
15. The rates quoted shall also be inclusive of embossing on the material. The ownership namely HMBP should be at a predominant place of the material to a size/ thickness upon the volume of the material.
16. The corporation reserves the right to reject any / all tender partly / fully and no tenderer can ask any explanation anywhere in this regard.
17. Successful Bidders have to sign the confidentially agreement in HEC's format.



ISO 9001 Company

Heavy Engineering Corporation Limited
(A Govt. of India Enterprise)
Heavy Machine Building Plant
Ancillary & Contract Department

18. **Performance Bank Guarantee:** The successful tenderer will have to submit performance bank guarantee amounting 10% of the contract price valid till guarantee period in HEC's format enclosed as annexure 5 after supply of material.
19. Guarantee clause- The items supplied shall be guaranteed for a period of 12 months from the date of commissioning or 18 months from the date of supply whichever is earlier against defective materials or bad workmanship
20. Based on HEC's requirement and in order to ensure security of supply, the total Tendered Quantity of the Item may be split amongst more than one Successful bidder at L-1 Landed Price. Hence Purchase Order may be placed on more than one firm.
Ratio of split will be as under-
 - a) **Between two Vendors - 60:40 or as decided by Tender Committee to meet delivery schedule.**
 - b) **Among more than two Vendors - 50:30:20 or as decided by Tender Committee to meet delivery schedule.**
21. The repeat order for 100% quantity may be placed on successful bidder/bidders within one year from the date of delivery of the original Purchase Order on mutual agreement.
22. Order placed as a result of this tender will be governed by the Corporation's General Terms and Conditions of Contract which can be referred in HEC's website www.hecltd.com

Note :-

1. **As per the govt. Guidelines it is to be specified clearly in your offer that the firm is NSIC/SSI and also confirm whether the firm is owned by SC/ST Entrepreneurs or not.**
2. **Any Future changes/notifications including extension of bid due date, pertaining to this tender will be published/hosted only on website & CPP Portal only.**
3. **Pl. provide UAN no to avail Facilities of MSME.**

(Sunil Kumar Singh)
Sr. Manager (ACD)/HMBP



ISO 9001 Company

Heavy Engineering Corporation Limited
(A Govt. of India Enterprise)
Heavy Machine Building Plant
Ancillary & Contract Department

Annexure – 1

PART – I (Techno - Commercial Bid)

No.ACD/HMB/18/SF/2052/OTE-5383

Date: 29/05/2018

	Description		Remark
1.	Duly notarized/self attested documentary proof of Die forging facilities with minimum 5T capacity of its own	Yes / No	
2.	Duly notarized/self attested documentary proof of Heat Treatment facility with good temperature controller upto 1200°C of its own	Yes / No	
3.	Duly notarized/self attested documentary proof of Stainless steel cutting facilities of its own or any tie up	Yes / No	
4.	Duly notarized/self attested documentary proof of Mechanical testing facilities such as UT, UTM ...etc of its own or from any NABL accredited lab.	Yes / No	
5.	Duly notarized/self attested documentary proof of Die design and manufacturing facilities of its own or any tie up.	Yes / No	
6.	Documentary proof of Previous work experience of stainless steel die forging of similar capacity (PO copy).	Yes / No	
7.	Whether SSI/NSIC/MSME (For exemption of EMD and Tender Fee only), Also mention UAN No.....	Yes / No	(If Yes, enclose certificate)
8.	Monetary Limit of the Firm (Lakhs)		
9.	Whether EMD deposited (As per clause 10 of Terms & conditions)	Yes / No	
10.	Whether Tender Fee deposited (As per clause 11 of Terms & conditions)	Yes / No	
11.	F.O.R. HMBP (As per clause 1 of Terms & condition)	Yes / No	
12.	Payment Term(As per clause 4 of Terms & condition)	Yes / No	
13.	Delivery Term(As per clause 5 of Terms & condition)	Yes / No	
14.	Validity(As per clause 3 of Terms & conditions)	Yes / No	
15.	L.D. Clause(As per clause 13(a) of Terms & conditions)	Yes / No	
16.	Guarantee Clause(As per clause 19 of Terms & conditions)	Yes / No	
17.	PBG(As per clause 18 of Terms & conditions)	Yes / No	
18.	Security Deposit(As per clause 12 of Terms & conditions)	Yes / No	
19.	Split of Tendered Quantity (As per clause 20 of Terms & conditions)	Yes / No	
20.	GST	Yes / No	GST rate.....
21.	Inspection(As per clause 8 of Terms & conditions)	Yes / No	
22.	Whether Terms & Condition/Note etc. mentioned in the tender enquiry is acceptable to the tenderer	Yes / No	

Note : In case of non-submission / submission of incomplete documents in terms of proofs duly notarized/self attested as per above details, your offer may not be considered for the said Enquiry.

(Signature of Tenderer)
With official Seal



ISO 9001 Company

Heavy Engineering Corporation Limited
(A Govt. of India Enterprise)
Heavy Machine Building Plant
Ancillary & Contract Department

Self-Declaration

I _____, Son / Daughter of Shri _____
age _____ years, resident of _____ in the District of _____,
do hereby declare that all the information given in the offer and in the enclosed documents is true to the best of my knowledge and belief and nothing has been concealed therein. I am well aware of the fact that if the information given by me is proved false / not true at any point of time, I will have to face punishment as per any provision of Law for the time being in force as well as the benefit availed of by me or the benefit accrued to me shall be summarily cancelled.

Date: -

(Signature of Tenderer)
With official Seal



ISO 9001 Company

Heavy Engineering Corporation Limited
(A Govt. of India Enterprise)
Heavy Machine Building Plant
Ancillary & Contract Department

Annexure - 2
PART-II
(Price Bid)

No.....Date :

To,
The Sr. Mgr. (ACD)
Ancillary & Contract Department
HMBP, HEC Ltd.,
Ranchi- 834004

Dear Sir,

In response to your enquiry for supply of following items. We give herewith our best offer without any deviation or rebate:-

Sl. No	Drg. No	Description	Qty.	Rate in Rs /PC	
				Figures	Word
1	2116.01.430	Stamp Forged Grate Bar	8260		
2	2116.01.431	Stamp Forged Grate Bar	16520		
3	2116.01.432	Stamp Forged Grate Bar	200		
4	2116.01.433	Stamp Forged Grate Bar	300		

GST Rate :

(Signature of Tenderer)
With official Seal

Important : -

1. Rate must be given in figures as well as in words.
2. Hand written tender will not be accepted.



ISO 9001 Company

Heavy Engineering Corporation Limited
(A Govt. of India Enterprise)
Heavy Machine Building Plant
Ancillary & Contract Department

Annexure 3

Format for
BANK GUARANTEE FOR EARNEST MONEY DEPOSIT

(to be issued by any Nationalized bank preferably State bank of India negotiable at their counters in Ranchi)

NO.

Dated:

TO
ANCILLARY & CONTRACT DEPARTMENT
MATERIAL MANAGEMENT DIVISION
HEAVY MACHINE BUILDING PLANT
HEAVY ENGINEERING CORPORATION LTD.
RANCHI-834004, JHARKHAND
INDIA

Dear Sirs,

In consideration of your agreeing to accept the Earnest money deposit of Rs.----- (Rs-----
-----) furnishable to you by M/s-----
----- (Hereinafter Referred to As Contractor)

In terms of the Enquiry No. ----- Dtd. ----- for
Supply of ----- (Hereinafter Referred to as the Contract) in the
form of a Bank Guarantee in the Manner hereinafter contained we -----
-----, having registered office at ----- do hereby
covenant and agree with you as follows.

1. We hereby undertake to indemnify you up to a sum of Rs. ----- (Rs. -----
----- only) against any loss or damage caused to or suffered by you or that may
be caused to or suffered by you by reason of any breach or breaches on the part of the
contractor of any of the terms and conditions contained in the said contract and in the event the
Contractor shall make any default or defaults in carrying out any of the works under the said
contract or otherwise in the observance and performance of any of the terms and conditions
relating thereto in accordance with the true intent and meaning thereof, we shall forthwith on
demand and without any protest or demur pay to you such sum or sums not exceeding in total
the said sum of Rs.----- (Rs. -----amount-----only) as may be
claimed by you as your losses and/or damages, costs, charges or expenses by reason of such
default or defaults on the part of the contractor.



ISO 9001 Company

Heavy Engineering Corporation Limited
(A Govt. of India Enterprise)
Heavy Machine Building Plant
Ancillary & Contract Department

2. Notwithstanding anything to the contrary contained in this guarantee your decision as to whether the contractor has made any such default or defaults and the amount or amounts to which you are entitled by reasons thereof will be binding on us and we shall not be entitled to ask you to establish your claim or claims or damages or losses suffered by you but will pay the amount demanded by you under this guarantee forthwith on your demand without any protest or demur.

3. This guarantee shall continue and hold good until it is released by you on the application by the contractor after expiry of the related warranty period of the said contract and after the contractor have discharged all their obligations under the said contract and produced a certificate of due completion of the work under the said contract and submitted a "NO Demand Certificate" provided always that this guarantee shall in no event remain in force after the date of----- without prejudice to your claim or claims arisen and demanded from or otherwise notified to us in writing before the expiry of six months from the said date which will be enforceable against us not withstanding that the same is or are enforced after the said date.

4. We-----, further undertake to extend the validity of this beyond the period prescribed in clause 3 or as extended from time to time for such further period as may be required in writing before the Expiry of this and upon such extension(s), all terms and conditions of this shall remain in full force till the expiry of this extended period(s).

5. You will have the fullest liberty without affecting this guarantee from time to time to vary any of the terms and conditions of the said contract or extend the time of performance of the contractor or to postpone for any time or from time to time any of your rights or powers against the contractor and either to enforce or forbear to enforce any of the terms and conditions of the said contract and we shall not be released from our liability under this guarantee by the exercise of your liberty with reference to matters aforesaid or by reason of any time being given to the contractor or any other forbearance, act or omission on your part or any indulgence by you to the contractor or by any other variation or modification of the said contract or any other act, matter or things whatsoever, which, under the law relating to sureties, would but for the provisions hereof, have the effect of so releasing us from our liability hereunder provided always that nothing herein contained will enlarge our liability hereunder beyond the limit of Rs. ----- (Rs. -----) as aforesaid or extend the period of the guarantee beyond the said Date of ----- unless expressly agreed to by us in writing in terms of clause 4 hereof.

6. This guarantee shall not in any way be affected by your taking or varying or giving up any securities from the contractor or any other person, firm or company on its behalf or by the winding up, dissolution, insolvency or death as the case may be of the contractor.

7. In order to give full effect to the guarantee herein contained, you shall be entitled to act as if we are your principal debtors in respect of all your claims against the contractor hereby guaranteed by us as aforesaid and we hereby expressly waive all our rights of suretyship and other rights, if any, which are in any ways inconsistent with any of the provisions of this guarantee.

8. Subject to the maximum limit of our liability as aforesaid this guarantee will cover all your claim or claims against the contractor from time to time arising out of or in relation to the said contract



ISO 9001 Company

Heavy Engineering Corporation Limited
(A Govt. of India Enterprise)
Heavy Machine Building Plant
Ancillary & Contract Department

and in respect of which your claim in writing is lodged on us before expiry of six months from the date of expiry of this guarantee.

9. Any notice by way of demand or otherwise hereunder shall be in writing and may be sent by special Courier or Telefax to us or our Local Address as aforesaid.

10. This guarantee and the powers & provisions herein contained are in addition to and not by way of limitation or substitution for any other guarantee or guarantees heretofore given to you by us whether jointly with others or alone and now existing uncanceled and that this guarantee is not intended to and shall not revoke or limit such guarantee or guarantees.

11. This guarantee shall not be affected by any change in the constitution of the contractor or us nor shall it be affected by any change in your constitution or by any Amalgamation or absorption thereof or therewith but will ensure for the benefit or and be available to and enforceable by the absorbing or amalgamated company or concern.

12. This guarantee is irrevocable during the period of its currency and shall not be revoked without your previous consent in writing.

13. We further agree and undertake to pay you the amount demanded by you in writing irrespective of any dispute or controversy between you and the contractor or any reference to arbitration of the said dispute/controversy pending or a civil suit filed by the contract or in respect of the dispute or controversy.

14. Notwithstanding anything contained herein above our liability under this guarantee is restricted to Rs.----- (Rs. -----only) and this guarantee shall remain in force until -----unless a written claim is lodged on us for payment under this guarantee within six months from the date of expiry of this guarantee . i.e. On or before-----all your rights under this guarantee shall be forfeited and we shall be deemed to have released and discharged from all liabilities there under, irrespective of whether or not the original guarantee is returned to us.

15. We have power to issue this guarantee in your favour under the memorandum and articles of association of the bank and the undersigned has full power to execute this guarantee under the power of Attorney Granted to them by the Bank.

FOR AND ON BEHALF OF



ISO 9001 Company

Heavy Engineering Corporation Limited
(A Govt. of India Enterprise)
Heavy Machine Building Plant
Ancillary & Contract Department

Annexure 4

Format for
BANK GUARANTEE FOR SECURITY DEPOSIT

(to be issued by any Nationalized bank preferably State bank of India negotiable at their counters in Ranchi)

TO,

M/S HEAVY ENGINEERING CORPORATION LIMITED
PLANT PLAZA ROAD,
DHURWA,
RANCHI – 4

Dear sir,

In consideration of your agreeing to accept the security deposit of rs.'amount'..... furnishable to you by m/s 'firms name'..... (hereinafter referred to as contractor) in terms of the contract no.'hec's purchase order no'.....for supply of 'details of items'.....(hereinafter referred to as the 'contract') in the form of a bank guarantee in the manner hereinafter contained we....'bank details'..... branch, having registered office at 'place'..... do hereby covenant and agree with you as follows:

1. We hereby undertake to indemnify you up to a sum of rs.'amount'.....(rupees 'amount in words'.....) against any loss or damage caused to or suffered by you or that may caused to or suffered by you by reason of any breach or breaches on the part of the contractor of any of the terms and conditions contained in the said contract and in the event the contractor shall make any default or defaults in carrying out any of the works under the said contract or otherwise in the observance and performance of any of the terms and conditions relating thereto in accordance with the true intent and meaning thereof, we shall forthwith on demand and without any protest or demur pay to you such sum or sums



ISO 9001 Company

Heavy Engineering Corporation Limited
(A Govt. of India Enterprise)
Heavy Machine Building Plant
Ancillary & Contract Department

not exceeding in total the said sum of rs.'amount'.....(rupees*'amount in words'*.....) as may be claimed by you as your losses and / or damages, costs, charges or expenses by reason of such default or defaults on the part of the contractor.

2. Notwithstanding anything to the contrary contained in this guarantee your decision as to whether the contractor has made any such default or defaults and the amount or amounts to which you are entitled by reasons thereof will be binding on us and we shall not be entitled to ask you to establish your claim or claims or damages or losses suffered by you but will pay the amount demanded by you under this guarantee forthwith on your demand without any protest or demur.
3. This guarantee shall continue and hold good untill it is released by you on the application by the contractor after expiry of the related warranty period of the said contract and after the contractor have discharged all their obligations under the said contract and produced a certificate of due completion of the work under the said contract and submitted a 'no demand certificate' provided always that this guarantee shall in no event remain in force after the date of ...'date'..... without prejudice to your claim or claims arisen and demanded from or otherwise notified to us in writing before the expiry of six months from the said date which will be enforceable against us notwithstanding that the same is or are enforced after the said date.
4. We*'bank name'*....., further undertake to extend the validity of this beyond the period prescribed in clause 3 or as extended from time to time, for such further period as may be required in writing before the expiry of this and upon such extension(s), all terms and conditions of this shall remain in full force till the expiry of this extended period(s).
5. You will have the fullest liberty without affecting this guarantee from time to time to vary any of the terms and conditions of the said contract or extend the time of performance of the contractor or to postpone for any time or from time to time any of your rights or powers against the contractor and either to enforce or forebear to enforce any of the terms and conditions of the said contract and we shall not be released from our liability under this guarantee by the exercise of your liberty with reference to matters aforesaid or by reason of any time being given to the contractor or any other forbearance , act or omission on your part or any indulgence by you to the contractor or by any other variation or modification of the said contract or any other act, matter or things whatsoever, which, under the law relating to sureties, would but for the provisions



ISO 9001 Company

Heavy Engineering Corporation Limited
(A Govt. of India Enterprise)
Heavy Machine Building Plant
Ancillary & Contract Department

hereof, have the effect or so releasing us from our liability hereunder provided always that nothing herein contained will enlarge our liability hereunder beyond the limit of rs.'amount'.....(rupees*'amount in words'*.....) as aforesaid or extend the period of the guarantee beyond the said date of ...*'date'*.... unless expressly agreed to by us in writing in terms of clause 4 hereof.

6. This guarantee shall not in any way be affected by your taking or varying or giving up any securities from the contractor or any other person, firm or company on its behalf or by the winding up, dissolution, insolvency or death as the case may be of the contractor.
7. In order to give full effect to the guarantee herein contained, you shall be entitled to act as if we are your principal debtors in respect of all your claims against the contractor hereby guaranteed by us as aforesaid and we hereby expressly waive all our rights of suretyship and other rights, if any, which are in any way inconsistent with any of the provisions of this guarantee.
8. Subject to the maximum limit of our liability as aforesaid this guarantee will cover all your claim or claims against the contractor from time to time arising out of or in relation to the said contract and in respect of which your claim in writing is lodged on us before expiry of six months from the date of expiry of this guarantee.
9. Any notice by way of demand or otherwise hereunder shall be in writing and may be sent by special courier, speed post or telefax to us at our local address as aforesaid.
10. This guarantee and the powers & provisions herein contained are in addition to and not by way of limitation of or substitution for any other guarantee or guarantees heretofore given to you by us whether jointly with others or alone and now existing uncanceled and that this guarantee is not intended to and shall not revoke or limit such guarantee or guarantees.
11. This guarantee shall not be affected by any change in the constitution of the contractor or us nor shall it be affected by any change in your constitution or by any amalgamation or absorption thereof or therewith but will ensure for the benefit of and be available to and enforceable by the absorbing or amalgamated company or concern.



ISO 9001 Company

Heavy Engineering Corporation Limited
(A Govt. of India Enterprise)
Heavy Machine Building Plant
Ancillary & Contract Department

12. This guarantee is irrevocable during the period of its currency and shall not be revoked without your previous consent in writing.
13. We further agree and undertake to pay you the amount demanded by you in writing irrespective of any dispute or controversy between you and the contractor or any reference to arbitration of the said dispute / controversy pending or a civil suit filed by the contractor in respect of the dispute or controversy.
14. Notwithstanding anything contained herein above our liability under this guarantee is restricted to rs.'amount'.....(rupees*'amount in words'*.....) and this gurantee shall remain in force untill*'date'*.... unless a written claim is lodged on us for payment under this guarantee within six months from the date of expiry of this guarantee i.e. on or before ...*'date'* + *'6 month'*..... all your rights under this guarantee shall be forfeited and we shall be deemed to have realeased and discharged from all liabilities thereunder. irrespective of whether or not the original guarantee is returned to us.
15. We have power to issue this guarantee in your favour under the memorandum and articles of association of the bank and the undersigned has full power to execute this guarantee under the power of attorney granted to them by the bank.

FOR AND ON BEHALF OF

'name of bank'

'signature with seal'



ISO 9001 Company

Heavy Engineering Corporation Limited
(A Govt. of India Enterprise)
Heavy Machine Building Plant
Ancillary & Contract Department

Annexure 5

FORMAT OF PERFORMANCE BANK GURANTEE

(TO BE STAMPED IN ACCORDANCE WITH STAMP ACT & TO BE ISSUED BY ANY NATIONALISED /SCHEDULED BANK AUTHORISED BY RBI TO ISSUE A BANK GUARANTEE)

Name of Equipment: ----- Guarantee NO-----
Purchase Order No.:----- dated: ----- Date:-----
Validity -----
Claim period-----

To:
M/s Heavy Engineering Corporation Ltd.
Heavy Machine Building Plant
Ranchi-834004 Jharkhand

In consideration of your having placed an order bearing Purchase Order No.-----dated:-----
--- with-----
------(hereinafter referred to as Supplier)
for the supply of-----
------(hereinafter referred to as the-----

We ----- do hereby agree with you irrevocably that, should the machinery and equipment fail to give the guarantee performance and achieve the efficiency as stipulated in the Purchase Order within the period of guarantee or should the material and/or workmanship of the machinery and equipment supplied or any part thereof be found defective and/or fully, as per the purchase order, we undertake to pay without any demur merely on demand a sum of Rs. -----
-----being 20% of the value of Rs. -----for the supply of -----

Your decision whether the supplier have made any such defaults and the amount to which you are entitled by reasons thereof shall be conclusive and bind on us, subject to maximum of Rs. ----
----- as aforesaid.

We-----further guarantee that the machinery and equipment manufactured and supplied by the supplier shall be new, of good quality materials and of the first class workmanship as specified in the Purchase order and should the machinery and equipment supplied or any part thereof be found defective and that



ISO 9001 Company

Heavy Engineering Corporation Limited
(A Govt. of India Enterprise)
Heavy Machine Building Plant
Ancillary & Contract Department

should the defect as pointed out in inspection note be not made good and/or in case of failure within guarantee period same shall be replaced on free of cost or repaired on free of cost to the entire satisfaction of Heavy Engineering Corporation Ltd.

We -----agree that the guarantee herein contained shall remain in full force and effect till the machinery and equipment give the desired performance and it shall continue to be enforceable till your dues have been fully paid and claims satisfied or discharged subject to a period not later than----- . In the event of any extension granted for commissioning/dispatch suitable extension shall be given on your request.

We-----, further agree that any neglect, omission or forbearance or indulgence in enforcing any claim as per the terms and conditions of your purchase order or performance guarantee or any of them or any extension of the time granted for the performance or payment of penalty under the guarantee or any dispute between the supplier and yourselves as regard performance of machinery and equipment supplied or issued related to your Purchase order, shall not effect in any way our liability under this guarantee until the full payment, but in any case, shall not extend beyond-----.

This guarantee is in addition and not substitution for guarantee given to you by the seller or by their bankers on their behalf.

We----- lastly undertake not to revoke this bank guarantee during its currency except with the previous consent of the corporation in writing.

Notwithstanding anything to contrary stated above, our liability under this guarantee will be restricted to Rs.----- and shall remain in force up to -----, unless a demand or claim under this guarantee is made from the date i.e. on or before-----
-----all your rights under the said guarantee shall be forfeited and we shall be released and discharged from all liabilities thereunder.

Dated at ----- day of -----

Seal of the Bank



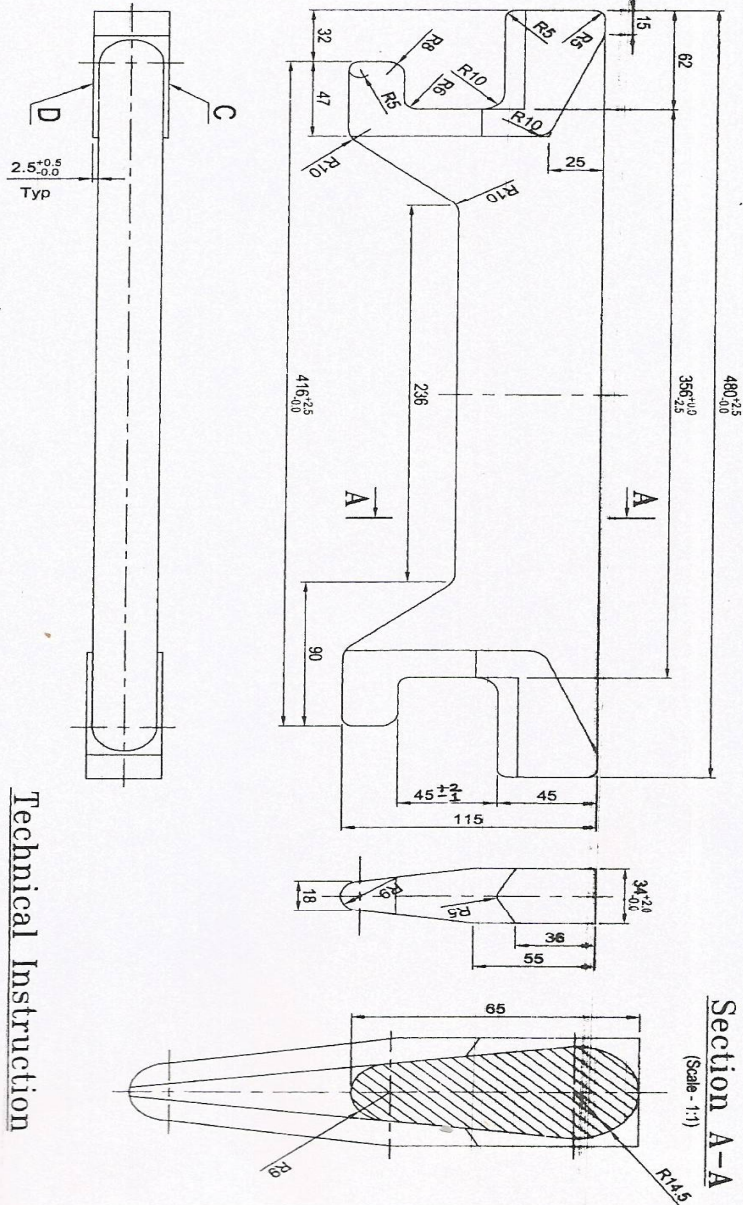
ISO 9001 Company

Heavy Engineering Corporation Limited
(A Govt. of India Enterprise)
Heavy Machine Building Plant
Ancillary & Contract Department

PRODUCED BY AN AUTODESK EDUCATIONAL PRODUCT

2116.01.430

PRODUCED BY AN AUTODESK EDUCATIONAL PRODUCT



Section A-A (Scale - 1:1)

Technical Instruction

- 1. Unmentioned radii and stamping draft are to be taken as 5mm and 7° respectively.
2. Forging shall be free from all types of forging defects.
3. The rounded off burrs on contour of grate bar should not exceed 1mm in height.
4. Surface 'C' and 'D' to be flat within 1 mm.

Note:-

This Dwg. is based on VSP dwg. no. PD-SP(3)-219.

Table with columns: S.No., Description, Material, Scale, Date

Stamp Forged Grate Bar
2116.01.430
Approved by: ANIL KUMAR
Designated by: ROHIT RANJAN
H.M.B.
HEC LTD, RANCHI

PRODUCED BY AN AUTODESK EDUCATIONAL PRODUCT
71-3-5850

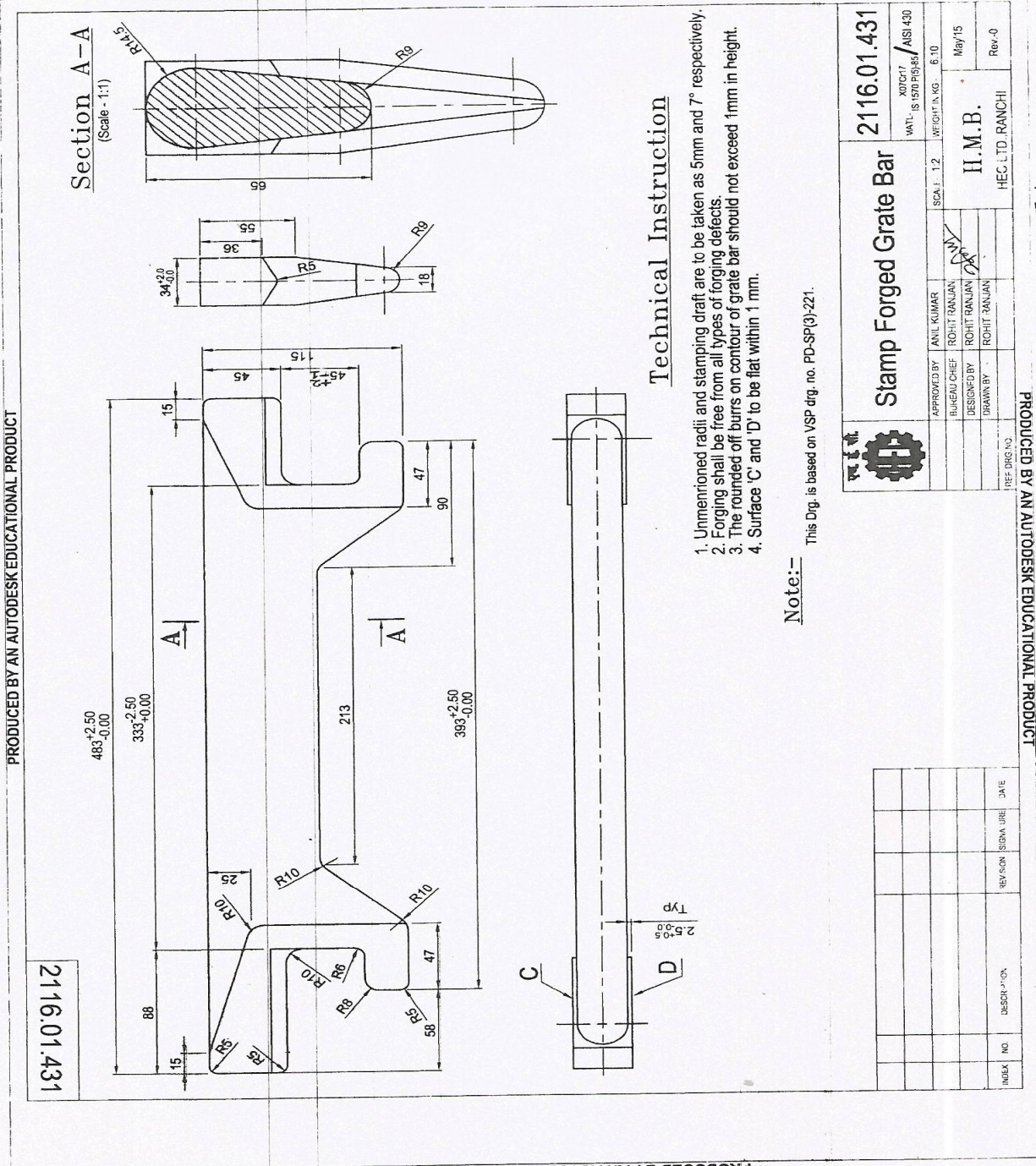
PRODUCED BY AN AUTODESK EDUCATIONAL PRODUCT



ISO 9001 Company

Heavy Engineering Corporation Limited (A Govt. of India Enterprise) Heavy Machine Building Plant Ancillary & Contract Department

PRODUCED BY AN AUTODESK EDUCATIONAL PRODUCT



21-3-5851



ISO 9001 Company

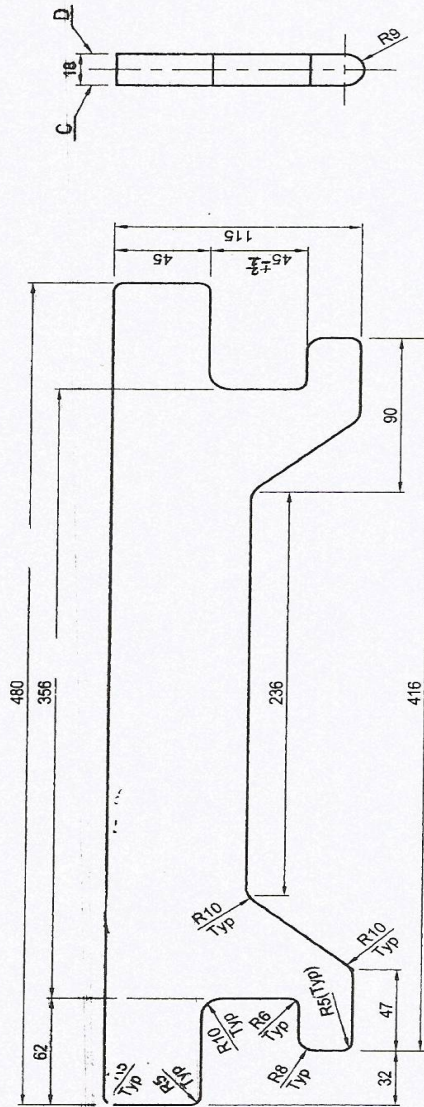
Heavy Engineering Corporation Limited

(A Govt. of India Enterprise)
 Heavy Machine Building Plant
 Ancillary & Contract Department

PRODUCED BY AN AUTODESK EDUCATIONAL PRODUCT

PRODUCED BY AN AUTODESK EDUCATIONAL PRODUCT

2116.01.432



Technical Instruction

1. Unmentioned radii and stamping draft are to be taken as 5mm and 7° respectively.
2. Forging shall be free from all types of forging defects.
3. The rounded off burrs on contour of grate bar should not exceed 1mm in height.
4. Surface 'C' and 'D' to be flat within 1 mm.

Note

This Drg. is based on VSP drg. no. PD-SP(3)-218.

PRODUCED BY AN AUTODESK EDUCATIONAL PRODUCT

Stam Forged Gate Bar		2116.01.432		XDT/C77 / AISI 430	
M.T.M.		SCALE: 1:2		WEIGHT IN KG: 4.30	
HEAD OF DEPT.	M. M. PRASAD	APPROVED BY		H.M.B.	
APPROVED BY	ANIL KUMAR	DESIGNED BY		HEC LTD, RANCHI	
BUREAU CHIEF	ROHIT RANJAN	DRAWN BY		May '15	
DESIGNED BY	ROHIT RANJAN	REV. DRG. NO.		Rev-0	
DRAWN BY	ROHIT RANJAN				

INDEX NO	DESCRIPTION	REVISION	SIGNATURE	DATE

PRODUCED BY AN AUTODESK EDUCATIONAL PRODUCT

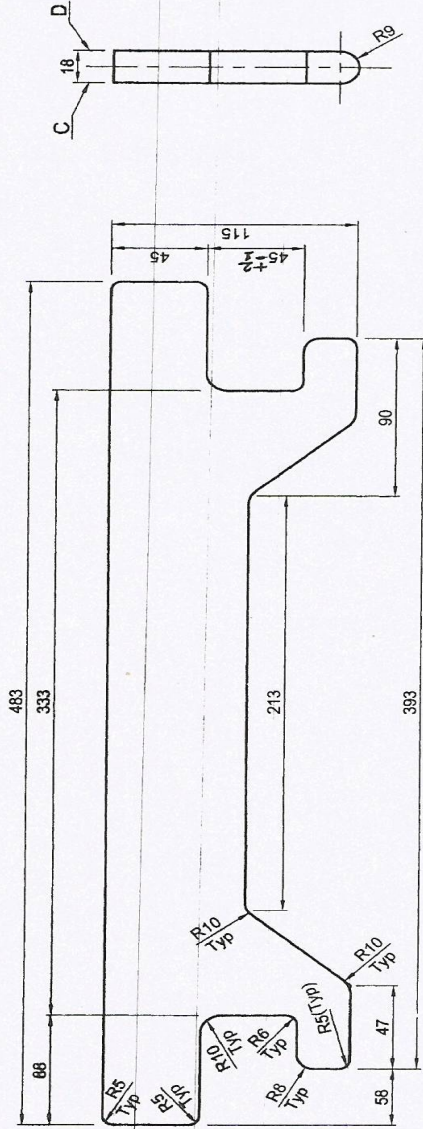


ISO 9001 Company

Heavy Engineering Corporation Limited
 (A Govt. of India Enterprise)
Heavy Machine Building Plant
Ancillary & Contract Department

PRODUCED BY AN AUTODESK EDUCATIONAL PRODUCT

2116.01.433



Technical Instruction

1. Unmentioned radii and stamping draft are to be taken as 5mm and 7° respectively.
2. Forging shall be free from all types of forging defects.
3. The rounded off burrs on contour of grate bar should not exceed 1mm in height.
4. Surface 'C' and 'D' to be flat within 1 mm.

Note -

This Drg. is based on VSP drg. no. PD-SP(3)-220.

HEC Logo		2116.01.433		MATL: IS 1570 P5/6/8/ AISI 430	WEIGHT IN KG. 4.30
Stam Forged Grate Bar		SCALE: NTS		H.M.B.	
HEAD OF DEPTT.	W. M. PRASAD	APPROVED BY	ANIL KUMAR	DESIGNED BY	ROHIT RANJAN
BUREAU CHIEF	ROHIT RANJAN	DRAWN BY	ROHIT RANJAN	DATE	May '15
REF DRG NO		HEC LTD., RANCHI		Rev-0	
NO	DESCRIPTION	REASON	SIGNATURE	DATE	

PRODUCED BY AN AUTODESK EDUCATIONAL PRODUCT