



ISO 9001 Company

**Heavy Engineering Corporation Limited**  
(A Govt. of India Enterprise)  
**Heavy Machine Building Plant**  
**Materials Management Department**

---

**Limited Open Tender Enquiry**

Tender No. HMBP/PUR/TL/21/048/LTE-6243, Date: 02.04.2021 for the procurement of "Rubber Items and Springs" is available on our website in e-procurement section i.e. <https://etenders.gov.in/e procure/app>. Aspiring bidders may go through the tender document.

Interested bidders are requested to submit their most competitive offer through e- procurement mode only. Offer submitted through offline mode will not be considered. For more information please visit our website <https://etenders.gov.in/e procure/app>.

Bid submission closing date	17.04.2021	01:00 PM
Technical Bid opening date	19.04.2021	03:00 PM

Prospective Tenderers are advised to get register themselves only on at NIC e-tender portal i.e. <https://etenders.gov.in/e procure/app>, obtain 'User ID' & 'Password' and go through the 'Self Help files' available in the Home Page after log in to the portal <http://etenders.gov.in>. They should also obtain Class III Digital Signature Certificate (DSC) in parallel which is essentially required for submission of their application. Detailed instructions for online bid submission are attached in **annexure-5**. No registration fee would be charged from the bidders.

Bidders are required to upload the bid along with all supporting documents including price bid part (BoQ) only on the e-tendering website (<https://etenders.gov.in/e procure/app>), on or before the due date and time for submission of bid.

**NOTE:**

- 1. Any Future changes/notifications including extension of bid due date, pertaining to this tender will be published/hosted only on website & CPP Portal only.**
- 2. The procurement of goods under the reference tender is covered under public procurement policy 2017, revised 16.09.2020 and here in after any future revisions.**



ISO 9001 Company

**Heavy Engineering Corporation Limited**  
(A Govt. of India Enterprise)  
**Heavy Machine Building Plant**  
**Materials Management Department**

---

**Submission of tender**

The Following 2 covers shall be submitted through online CPP - portal by the bidders. Last date and time of submission of bids (cover 1, 2) is as per given dates.

**Cover – I: - Containing techno-commercial bid**

Cover – I containing

- i. Duly Filled Annexure-1
- ii. All other documents as per Annexure 1

**Cover - II: Price Bid (BoQ)**

a) The tenderer shall upload the digitally signed Schedule of price bid in the form of BOQ.xls

Bidders may please note, the schedule of quantities is attached in the portal. The same (BOQ) shall be downloaded and be filled in the editable (un protected) cells only and they should necessarily submit their financial bids in the format provided after entering the financial quotes, name of the bidder etc.

**Bid Opening Process is as below:-**

Cover-I: Technical bid opening date will be as per given dates. If any clarification is needed from the bidder about the deficiency in his uploaded documents in Cover-I, he will be asked to provide it through Short fall documents folder in e-tendering portal one time only or through mail. The bidder shall upload the requisite clarification / documents within time specified by HEC, failing which tender will be liable for rejection.

Cover-II: The financial bids of the contractors / firms found to be meeting the qualifying requirements and technical criteria shall be intimated through portal. (Depending on Cover-I evaluation any changes in the date shall be intimated through e-tendering portal).



ISO 9001 Company

**Heavy Engineering Corporation Limited**  
(A Govt. of India Enterprise)  
**Heavy Machine Building Plant**  
**Materials Management Department**

**Limited Open Tender Enquiry**

**Tender No. HMBP/PUR/TL/21/048/LTE-6243**

**Date: 02.04.2021**

Heavy Engineering Corporation Ltd. Invites competitive offer against their above Tender No. For the supply of following items as per given enquiry schedule.

SL No	Drg no.	Description of item	Material	Unit	Qty	wt/pc in kg
1	NA	Gasket 74x48x2	Permanite	No	16	0.01
2	NA	Rubber sheet 1500x1200x2mm	Rubber	No	8	7.2
3	NA	Rubber sheet 1500x1200x4mm	Rubber	No	8	14.4
4	NA	Gasket 3XD22/13	Copper DHP IS:191-58	No	24	0.01
5	NA	Gasket t= 0.5 mm Area 13 sq.m	CAF Jointing IS :2712-79	No	1	12.5
6	1204.04.08	Dust Seperator	Rubber	No	1	4
7	1204.02.12	Gasket dia 820/685 t=1	CAF Jointing Gr 0/2	No	1	0.2
8	1221.04.05	Dust Seperator 4703x57x5	Rubber	No	1	2.4
9	NA	Rubber packing (1130x250x30)	Rubber	No	2	12.7
10	1507.27.695	Spring (LH)	55Si7 IS:3431-82	No	4	9.7
11	1507.27.703	Spring (RH)	55Si7 IS:3431-82	No	4	9.7
12	1507.27.912	Spring	55Si7 IS:3431-82	No	8	16.2

**Technical instruction:**

- Item sl. no. 1 to 5 have to be supplied as per size and properties as mentioned.
- For Sl. No 9 rubber should have the following characteristics:-
  - Relative elongation at rupture should not be less than 200%
  - Residual elongation should not be more than 20%
  - Hardness should be 60-70 shores
  - Ambient temp.-50°C
  - Working Medium- Air
- Item sl. no. 6, 7, 8, 10, 11 & 12 have to be supplied as per drawing and its technical instructions.



ISO 9001 Company

**Heavy Engineering Corporation Limited**  
(A Govt. of India Enterprise)  
**Heavy Machine Building Plant**  
**Materials Management Department**

---

**Terms & Conditions**

1. The rate quoted shall be Inclusive of all packing & forwarding, Freight charges & insurance on F.O.R HMBP Stores.
2. The Price quoted by the tenderer should be exclusive of GST. The rate and nature of GST applicable should be shown separately. GST will be paid to the seller at the rate at which it is liable to be assessed or has actually been assessed on the date of supply provided the transaction of sale is legally liable to GST and within the delivery period.
3. **Validity of offer** - The rates quoted must be firm and the offer made must remain valid for acceptance up to **three months** from the date of opening of the tender. The rate quoted must be in word and figure as well. In case any discrepancy in rate given in figures and word, the rate given in words will prevail.
4. **Payment terms:** 100% payment along with 100% taxes and duties within two months of receipt of material in HMBP against Tax invoice, receipted challan, copy of C.R.V (to be issue by our Stores after receipt and acceptance of material at HMBP) and submission of PBG as per clause 18. In case of any deviation by the bidders necessary loading @ 1% Per Month (12% max Per Year) on quoted price shall be applicable and L-1 firm will be decided based on landed cost after loading on quoted price.
5. **Delivery Schedule –within 30 days from the date of issue of PO.**
6. Full particular i.e. specification, literature and or drawing wherever applicable should be submitted along with the quotation.
7. The Corporation does not pledge itself to accept the lowest or any tender and reserve to itself the right of accepting the whole or any part of tender or portion of the quantity offered and you shall supply the same at the rate quoted.
8. Inspection of the manufactured items will be done by QCA/HMBP or his authorized representative at supplier's works, Necessary tools and measuring instruments to be provided by the supplier.
9. Corporation reserves the right to call for and examine at any time the books of accounts and other document and papers of the firm for the purpose of ascertaining whether any excess payment has been made or the firm likely to be received / received undue benefit out of execution of the particular contract.
10. **Security deposit (SD)** – Successful tenderer will have to deposit security equal to 5 % of the value of the contract within the desired period i.e. within 21 days of PO date. Failing this, the contract will be cancelled at the risk and expenses of the suppliers. SD will have to be deposited by demand draft on any of the nationalized banks in favor of "Heavy Engineering Corporation Limited, payable at Ranchi" or in the form of Bank Guarantee as per Annexure-3.
11. **Delivery :** The time for and the date of delivery of the Stores stipulated in the acceptance of tender shall be deemed to be the essence of the Contract and delivery must be completed not later that the dates specified therein. Otherwise:



ISO 9001 Company

**Heavy Engineering Corporation Limited**  
(A Govt. of India Enterprise)  
**Heavy Machine Building Plant**  
**Materials Management Department**

---

- a. The purchaser to recover from the Contractor a sum of 0.5% per week (Completed week) of the price of the Stores (up to maximum 10%) as liquidated damages, which the contractor has failed to deliver as a foresaid or
  - b. The purchaser may procure the undelivered stores/ similar items from elsewhere, without notice to the contractor at the risk of the contractor without canceling the contract in respect of the consignment not yet due for delivery or
  - c. To cancel the contract or a portion thereof.
- 12. Performance Bank Guarantee:** The successful tenderer will have to submit performance bank guarantee amounting 10% of the contract value valid till guarantee period of the supplied materials in HEC's format enclosed as annexure-4 after supply of material.
  - 13.** There is no obligation on our part to accept delayed / late tenders.
  - 14.** The corporation reserves the right to reject any / all tender partly / fully and no tenderer can ask any explanation anywhere in this regard.
  - 15. Guarantee clause-** The items supplied shall be guaranteed for a period of 12 months from the date of commissioning or 18 months from the date of delivery whichever is earlier against defective materials or bad workmanship.
  - 16.** The repeat order for 100% quantity may be placed on successful bidder/bidders within one year from the date of delivery of the original Purchase Order on mutual agreement.
  - 17.** Order placed as a result of this tender will be governed by the Corporation's General Terms and Conditions of Contract which can be referred in HEC's website [www.hecltd.com](http://www.hecltd.com)
  - 18. Arbitration Clause:** The parties to the contract at the first instance shall endeavor to settle by mutual discussion all the questions of disputes or differences arising out of, or relating thereto, or in connection with this contract. In the event of failure of settlement, the aggrieved party with prior written permission of other party shall refer the unresolved dispute(s) or differences(s) to the Chairman- cum- Managing Director of the HEC Limited (CMD / HEC) for adjudication by a Sole Arbitrator to be appointed with mutual consent by CMD / HEC. The Sole Arbitrator shall adjudicate the matter in accordance with the Arbitration and Conciliation Act, 1996 (For short "Act") and publish the award. The parties shall have no objection, if the Sole Arbitrator so appointed is an ex- employee, superannuated before 3 years from the services of HEC Ltd. If the Sole Arbitrator for any reason, whatsoever, becomes unable to proceed with the arbitration, the CMD / HEC with mutual consent of both the parties, shall appoint his successor arbitrator who may proceed with the reference from the stage it was left by his predecessor or subject to the provisions of the Act. The venue of the Arbitration proceeding shall be at Ranchi in the State of Jharkhand alone.

The other provisions of Arbitration and Conciliation Act, 1996 shall be applicable (as amended from time to time) especially the provisions of Schedule V and Schedule VII and sections 6, 11(2), 12(5) should be considered during the appointment of Sole Arbitrator.



ISO 9001 Company

**Heavy Engineering Corporation Limited**  
(A Govt. of India Enterprise)  
**Heavy Machine Building Plant**  
**Materials Management Department**

---

**Note:-**

1. As per the govt. Guidelines it is to be specified clearly in your offer whether your firm is registered with SSI/NSIC/MSME and also confirm whether the firm is owned by SC/ST Entrepreneurs or not.
2. Pl. provide UAM no to avail Facilities of MSME.
3. Please get registered your firm with HEC Ltd.

(Anjani Bhagat)  
Mgr/Pur/MM div/HMBP  
FOR AND ON BEHALF OF HEC Ltd.



ISO 9001 Company

**Heavy Engineering Corporation Limited**  
(A Govt. of India Enterprise)  
**Heavy Machine Building Plant**  
**Materials Management Department**

**Annexure – 1**

PART – I (Techno - Commercial Bid)

**Tender No. HMBP/PUR/TL/21/048/LTE-6243**

**Date: 02.04.2021**

Sl. No	Contents	Desired by HEC	Bidders Confirmation
1	Price Term	FOR HMBP Stores	
3	Taxes and Duties	Rate of GST is to be indicated(Invoice are to be prepared as per the GST LAW)	
4	Payment Terms	As per cl.no.4 to be accepted	
5	Validity of Offer	3 Months from date of opening of tender.	
6	Delivery Schedule	Within 30 days from P.O. date.	
7	Inspection	By QCA/HMBP or his representative.	
8	Guarantee Certificate	To be provided	
9	Test Certificate	To be provided	
10	L/D Clause Acceptable	To be Accepted as per cl.no.11a	
11	SD @ 5% of Contract Value	To be Accepted as per cl.no.10	
12	PBG	To be Accepted as per cl.no.12	
13	Guarantee/Warranty	12 month from the date of use or 18 months from the date of supply whichever is earlier	
14	Risk Purchase Clause	To be accepted	
15	MSME (certificate)	To be provided	
16	Price Variation Clause	Not Applicable	



ISO 9001 Company

**Heavy Engineering Corporation Limited**  
(A Govt. of India Enterprise)  
**Heavy Machine Building Plant**  
**Materials Management Department**

17	Special terms (If Any)		
18	Whether other Terms & Condition/Note etc. mentioned in the tender enquiry is acceptable to the tenderer		
19	Contact person Name: Email: Contact number:		

**Note :** In case of non-submission / submission of incomplete documents, your offer may not be considered for the said Enquiry.

(Signature of Tenderer)  
With official Seal





ISO 9001 Company

**Heavy Engineering Corporation Limited**  
(A Govt. of India Enterprise)  
**Heavy Machine Building Plant**  
**Materials Management Department**

---

**Annexure – 2**

**PART-II (Price Bid)**

The tenderer shall upload the digitally signed Schedule of price bid in the form of BOQ.xls

Bidders may please note, the schedule of quantities is attached in the portal. The same (BOQ) shall be downloaded and be filled in the editable (un protected) cells only and they should necessarily submit their financial bids in the format provided after entering the financial quotes, name of the bidder etc.



ISO 9001 Company

**Heavy Engineering Corporation Limited**  
(A Govt. of India Enterprise)  
**Heavy Machine Building Plant**  
**Materials Management Department**

---

**Annexure-3**

Format for  
**BANK GUARANTEE FOR SECURITY DEPOSIT**

*( to be issued by any Nationalized bank preferably State bank of India negotiable at their counters in Ranchi )*

TO,

M/S HEAVY ENGINEERING CORPORATION LIMITED  
PLANT PLAZA ROAD,  
DHURWA,  
RANCHI – 4

Dear sir,

In consideration of your agreeing to accept the security deposit of rs. ....'amount'..... furnishable to you by m/s ..... 'firms name'..... (hereinafter referred to as contractor) in terms of the contract no. ....'hec's purchase order no'.....for supply of ..... 'details of items'.....(hereinafter referred to as the 'contract' ) in the form of a bank guarantee in the manner hereinafter contained we....'bank details'..... branch, having registered office at ..... 'place'..... do hereby covenant and agree with you as follows:

1. We hereby undertake to indemnify you up to a sum of rs. ....'amount'.....(rupees ..... 'amount in words'.....) against any loss or damage caused to or suffered by you or that may caused to or suffered by you by reason of any breach or breaches on the part of the contractor of any of the terms and conditions contained in the said contract and in the event the contractor shall make any default or defaults in carrying out any of the works under the said contract or otherwise in the observance and performance of any of the terms and conditions relating thereto in accordance with the true intent and meaning thereof, we shall forthwith on demand and without any protest or demur pay to you such sum or sums not exceeding in total the said sum of rs. ....'amount'.....(rupees ..... 'amount in words'.....) as may be claimed by you as your losses and / or damages, costs, charges or expenses by reason of such default or defaults on the part of the contractor.



ISO 9001 Company

**Heavy Engineering Corporation Limited**  
(A Govt. of India Enterprise)  
**Heavy Machine Building Plant**  
**Materials Management Department**

---

2. Notwithstanding anything to the contrary contained in this guarantee your decision as to whether the contractor has made any such default or defaults and the amount or amounts to which you are entitled by reasons thereof will be binding on us and we shall not be entitled to ask you to establish your claim or claims or damages or losses suffered by you but will pay the amount demanded by you under this guarantee forthwith on your demand without any protest or demur.
3. This guarantee shall continue and hold good until it is released by you on the application by the contractor after expiry of the related warranty period of the said contract and after the contractor have discharged all their obligations under the said contract and produced a certificate of due completion of the work under the said contract and submitted a 'no demand certificate' provided always that this guarantee shall in no event remain in force after the date of ...'date'..... without prejudice to your claim or claims arisen and demanded from or otherwise notified to us in writing before the expiry of six months from the said date which will be enforceable against us notwithstanding that the same is or are enforced after the said date.
4. We .....'*bank name*'....., further undertake to extend the validity of this beyond the period prescribed in clause 3 or as extended from time to time, for such further period as may be required in writing before the expiry of this and upon such extension(s), all terms and conditions of this shall remain in full force till the expiry of this extended period(s).
5. You will have the fullest liberty without affecting this guarantee from time to time to vary any of the terms and conditions of the said contract or extend the time of performance of the contractor or to postpone for any time or from time to time any of your rights or powers against the contractor and either to enforce or forebear to enforce any of the terms and conditions of the said contract and we shall not be released from our liability under this guarantee by the exercise of your liberty with reference to matters aforesaid or by reason of any time being given to the contractor or any other forbearance, act or omission on your part or any indulgence by you to the contractor or by any other variation or modification of the said contract or any other act, matter or things whatsoever, which, under the law relating to sureties, would but for the provisions hereof, have the effect or so releasing us from our liability hereunder provided always that nothing herein contained will enlarge our liability hereunder beyond the limit of rs. ....'*amount*'.....(*rupees ..... 'amount in words'.....*) as aforesaid or extend the period of the guarantee beyond the said date of ...'date'.... unless expressly agreed to by us in writing in terms of clause 4 hereof.



ISO 9001 Company

**Heavy Engineering Corporation Limited**  
(A Govt. of India Enterprise)  
**Heavy Machine Building Plant**  
**Materials Management Department**

---

6. This guarantee shall not in any way be affected by your taking or varying or giving up any securities from the contractor or any other person, firm or company on its behalf or by the winding up, dissolution, insolvency or death as the case may be of the contractor.
7. In order to give full effect to the guarantee herein contained, you shall be entitled to act as if we are your principal debtors in respect of all your claims against the contractor hereby guaranteed by us as aforesaid and we hereby expressly waive all our rights of suretyship and other rights, if any, which are in any way inconsistent with any of the provisions of this guarantee.
8. Subject to the maximum limit of our liability as aforesaid this guarantee will cover all your claim or claims against the contractor from time to time arising out of or in relation to the said contract and in respect of which your claim in writing is lodged on us before expiry of six months from the date of expiry of this guarantee.
9. Any notice by way of demand or otherwise hereunder shall be in writing and may be sent by special courier, speed post or telefax to us at our local address as aforesaid.
10. This guarantee and the powers & provisions herein contained are in addition to and not by way of limitation of or substitution for any other guarantee or guarantees heretofore given to you by us whether jointly with others or alone and now existing uncanceled and that this guarantee is not intended to and shall not revoke or limit such guarantee or guarantees.
11. This guarantee shall not be affected by any change in the constitution of the contractor or us nor shall it be affected by any change in your constitution or by any amalgamation or absorption thereof or therewith but will ensure for the benefit of and be available to and enforceable by the absorbing or amalgamated company or concern.
12. This guarantee is irrevocable during the period of its currency and shall not be revoked without your previous consent in writing.
13. We further agree and undertake to pay you the amount demanded by you in writing irrespective of any dispute or controversy between you and the contractor or any reference to arbitration of the said dispute / controversy pending or a civil suit filed by the contractor in respect of the dispute or controversy.
14. Notwithstanding anything contained herein above our liability under this guarantee is restricted to rs. ....'amount'.....(rupees .....*'amount in words'*.....) and this guarantee shall remain in force until .....*'date'*.... unless a written claim is



ISO 9001 Company

**Heavy Engineering Corporation Limited**  
(A Govt. of India Enterprise)  
**Heavy Machine Building Plant**  
**Materials Management Department**

---

lodged on us for payment under this guarantee within six months from the date of expiry of this guarantee i.e. on or before ...'date' + '6 month'..... all your rights under this guarantee shall be forfeited and we shall be deemed to have released and discharged from all liabilities thereunder. irrespective of whether or not the original guarantee is returned to us.

15. We have power to issue this guarantee in your favour under the memorandum and articles of association of the bank and the undersigned has full power to execute this guarantee under the power of attorney granted to them by the bank.

FOR AND ON BEHALF OF

*'name of bank'*

*'signature with seal'*



ISO 9001 Company

**Heavy Engineering Corporation Limited**  
(A Govt. of India Enterprise)  
**Heavy Machine Building Plant**  
**Materials Management Department**

Annexure-4

FORMAT OF PERFORMANCE BANK GURANTEE

(TO BE STAMPED IN ACCORDANCE WITH STAMP ACT & TO BE ISSUED BY ANY NATIONALISED /SCHEDULED BANK AUTHORISED BY RBI TO ISSUE A BANK GUARANTEE)

Name of Equipment: ----- Guarantee NO-----

Purchase Order No.:----- dated: ----- Date:-----

Validity -----

Claim period-----

To:

M/s Heavy Engineering Corporation Ltd.  
Heavy Machine Building Plant  
Ranchi-834004 Jharkhand

In consideration of your having placed an order bearing Purchase Order No.-----dated:-----

- with-----  
----- (hereinafter referred to as Supplier) for  
the supply of-----

----- (hereinafter referred to as the-----  
-----

We ----- do hereby agree with you irrevocably  
that, should the machinery and equipment fail to give the guarantee performance and achieve the  
efficiency as stipulated in the Purchase Order within the period of guarantee or should the material  
and/or workmanship of the machinery and equipment supplied or any part thereof be found  
defective and/or fully, as per the purchase order, we undertake to pay without any demur merely  
on demand a sum of Rs. -----  
being 20% of the value of Rs. -----for the supply of -----  
-----

Your decision whether the supplier have made any such defaults and the amount to which you are  
entitled by reasons thereof shall be conclusive and bind on us, subject to maximum of Rs. -----  
----- as aforesaid.

We-----further guarantee that the  
machinery and equipment manufactured and supplied by the supplier shall be new, of good quality  
materials and of the first class workmanship as specified in the Purchase order and should the  
machinery and equipment supplied or any part thereof be found defective and that should the  
defect as pointed out in inspection note be not made good and/or in case of failure within  
guarantee period same shall be replaced on free of cost or repaired on free of cost to the entire  
satisfaction of Heavy Engineering Corporation Ltd.



ISO 9001 Company

**Heavy Engineering Corporation Limited**  
(A Govt. of India Enterprise)  
**Heavy Machine Building Plant**  
**Materials Management Department**

We -----agree that the guarantee herein contained shall remain in full force and effect till the machinery and equipment give the desired performance and it shall continue to be enforceable till your dues have been fully paid and claims satisfied or discharged subject to a period not later than----- . In the event of any extension granted for commissioning/dispatch suitable extension shall be given on your request.

We-----, further agree that any neglect, omission or forbearance or indulgence in enforcing any claim as per the terms and conditions of your purchase order or performance guarantee or any of them or any extension of the time granted for the performance or payment of penalty under the guarantee or any dispute between the supplier and yourselves as regard performance of machinery and equipment supplied or issued related to your Purchase order, shall not effect in any way our liability under this guarantee until the full payment, but in any case, shall not extend beyond-----.

This guarantee is in addition and not substitution for guarantee given to you by the seller or by their bankers on their behalf.

We----- lastly undertake not to revoke this bank guarantee during its currency except with the previous consent of the corporation in writing.

Notwithstanding anything to contrary stated above, our liability under this guarantee will be restricted to Rs.----- and shall remain in force up to -----, unless a demand or claim under this guarantee is made from the date i.e. on or before----- -----all your rights under the said guarantee shall be forfeited and we shall be released and discharged from all liabilities thereunder.

Dated at ----- day of -----

Seal of the Bank



ISO 9001 Company

**Heavy Engineering Corporation Limited**  
(A Govt. of India Enterprise)  
**Heavy Machine Building Plant**  
**Materials Management Department**

---

Annexure-5

**Instructions for Online Bid Submission**

The bidders are required to submit soft copies of their bids electronically on the CPP Portal, using valid Digital Signature Certificates. The instructions given below are meant to assist the bidders in registering on the CPP Portal, prepare their bids in accordance with the requirements and submitting their bids online on the CPP Portal.

More information useful for submitting online bids on the CPP Portal may be obtained at: <https://eprocure.gov.in/eprocure/app>.

**REGISTRATION**

- (i) Bidders are required to enroll on the e-Procurement module of the Central Public Procurement Portal (URL: <https://etenders.gov.in/eprocure/app>) by clicking on the link "Online bidder Enrollment" on the CPP Portal which is free of charge.
- (ii) As part of the enrolment process, the bidders will be required to choose a unique username and assign a password for their accounts.
- (iii) Bidders are advised to register their valid email address and mobile numbers as part of the registration process. These would be used for any communication from the CPP Portal.
- (iv) Upon enrolment, the bidders will be required to register their valid Digital Signature Certificate (Class II or Class III Certificates with signing key usage) issued by any Certifying Authority recognized by CCA India (e.g. Sify / nCode / eMudhra etc.), with their profile.
- (v) Only one valid DSC should be registered by a bidder. Please note that the bidders are responsible to ensure that they do not lend their DSC's to others which may lead to misuse.
- (vi) Bidder then logs in to the site through the secured log-in by entering their user ID / password and the password of the DSC / e-Token.

**SEARCHING FOR TENDER DOCUMENTS**

- i) There are various search options built in the CPP Portal, to facilitate bidders to search active tenders by several parameters. These parameters could include Tender ID, Organization Name, Location, Date, Value, etc. There is also an option of advanced search for tenders, wherein the bidders may combine a number of search parameters such as Organization Name, Form of Contract, Location, Date, Other keywords etc. to search for a tender published on the CPP Portal.





ISO 9001 Company

**Heavy Engineering Corporation Limited**  
(A Govt. of India Enterprise)  
**Heavy Machine Building Plant**  
**Materials Management Department**

---

- ii) Once the bidders have selected the tenders they are interested in, they may download the required documents / tender schedules. These tenders can be moved to the respective 'My Tenders' folder. This would enable the CPP Portal to intimate the bidders through SMS / e-mail in case there is any corrigendum issued to the tender document.
- iii) The bidder should make a note of the unique Tender ID assigned to each tender, in case they want to obtain any clarification / help from the Helpdesk.

#### **PREPARATION OF BIDS**

- i) Bidder should take into account any corrigendum published on the tender document before submitting their bids.
- ii) Please go through the tender advertisement and the tender document carefully to understand the documents required to be submitted as part of the bid. Please note the number of covers in which the bid documents have to be submitted, the number of documents - including the names and content of each of the document that need to be submitted. Any deviations from these may lead to rejection of the bid.
- iii) Bidder, in advance, should get ready the bid documents to be submitted as indicated in the tender document / schedule and generally, they can be in PDF / XLS / RAR formats. Bid documents may be scanned with 100 dpi with black and white option which helps in reducing size of the scanned document.
- iv) To avoid the time and effort required in uploading the same set of standard documents which are required to be submitted as a part of every bid, a provision of uploading such standard documents (e.g. PAN card copy, annual reports, auditor certificates etc.) has been provided to the bidders. Bidders can use "My Space" or "Other Important Documents" area available to them to upload such documents. These documents may be directly submitted from the "My Space" area while submitting a bid, and need not be uploaded again and again. This will lead to a reduction in the time required for bid submission process.

**Note:** My Documents space is only a repository given to the Bidders to ease the uploading process. If Bidder has uploaded his Documents in My Documents space, this does not automatically ensure these Documents being part of Technical Bid.

#### **SUBMISSION OF BIDS**

- i) Bidder should log into the site well in advance for bid submission so that they can upload the bid in time i.e. on or before the bid submission time. Bidder will be responsible for any delay due to other issues.



ISO 9001 Company

**Heavy Engineering Corporation Limited**  
(A Govt. of India Enterprise)  
**Heavy Machine Building Plant**  
**Materials Management Department**

---

- ii) The bidder has to digitally sign and upload the required bid documents one by one as indicated in the tender document.
- iii) Bidder has to select the payment option as “offline” to pay the tender fee / EMD as applicable and enter details of the instrument.
- iv) Bidder should prepare the EMD as per the instructions specified in the tender document. The original should be posted/couriered/given in person to the concerned official, latest by as specified in the tender documents. The details of the DD / any other accepted instrument, physically sent, should tally with the details available in the scanned copy and the data entered during bid submission time. Otherwise the uploaded bid will be rejected.
- v) Bidders are requested to note that they should necessarily submit their financial bids in the format provided and no other format is acceptable. If the price bid has been given as a standard BOQ format with the tender document, then the same is to be downloaded and to be filled by all the bidders. Bidders are required to download the BOQ file, open it and complete the white coloured (unprotected) cells with their respective financial quotes and other details (such as name of the bidder). No other cells should be changed. Once the details have been completed, the bidder should save it and submit it online, without changing the filename. If the BOQ file is found to be modified by the bidder, the bid will be rejected.
- vi) The server time (which is displayed on the bidders’ dashboard) will be considered as the standard time for referencing the deadlines for submission of the bids by the bidders, opening of bids etc. The bidders should follow this time during bid submission.
- vii) All the documents being submitted by the bidders would be encrypted using PKI encryption techniques to ensure the secrecy of the data. The data entered cannot be viewed by unauthorized persons until the time of bid opening. The confidentiality of the bids is maintained using the secured Socket Layer 128 bit encryption technology. Data storage encryption of sensitive fields is done. Any bid document that is uploaded to the server is subjected to symmetric encryption using a system generated symmetric key. Further this key is subjected to asymmetric encryption using buyers/bid openers public keys. Overall, the uploaded tender documents become readable only after the tender opening by the authorized bid openers.
- viii) The uploaded tender documents become readable only after the tender opening by the authorized bid openers.
- ix) Upon the successful and timely submission of bids (i.e. after Clicking “Freeze Bid Submission” in the portal), the portal will give a successful bid submission message & a bid summary will be displayed with the bid no. and the date & time of submission of



ISO 9001 Company

**Heavy Engineering Corporation Limited**  
(A Govt. of India Enterprise)  
**Heavy Machine Building Plant**  
**Materials Management Department**

---

the bid with all other relevant details.

- x) The bid summary has to be printed and kept as an acknowledgement of the submission of the bid. This acknowledgement may be used as an entry pass for any bid opening meetings.

**ASSISTANCE TO BIDDERS**

- i) Any queries relating to the tender document and the terms and conditions contained therein should be addressed to the Tender Inviting Authority for a tender or the relevant contact person indicated in the tender.
- ii) Any queries relating to the process of online bid submission or queries relating to CPP Portal in general may be directed to the 24x7 **CPP Portal** Helpdesk.

Note: For any query related to registration and processing on the Portal please visit FAQ

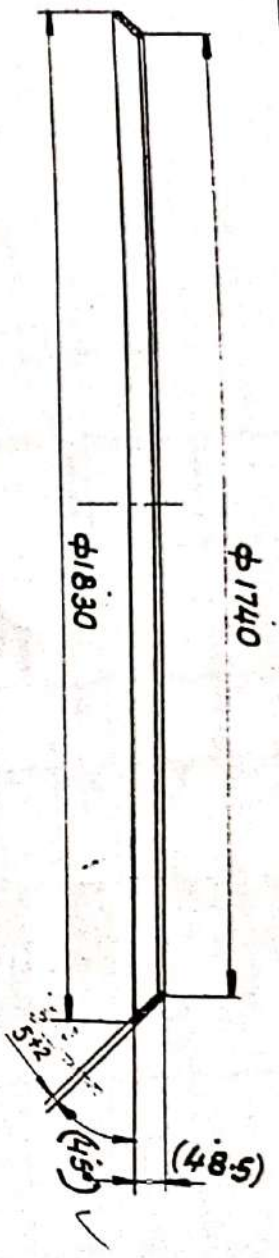
available at <https://etenders.gov.in/e procure/app?page=FAQFrontEnd&service=page>

You may call the Helpdesk. The 24 x 7 Help Desk Numbers are  
0120-4200462, 0120-4001002, 0120-4001005, 0120-6277787  
E-Mail: [support-eproc@nic.in](mailto:support-eproc@nic.in)

**Or**

You may call to our service provider, Mr.Kushal (7903884318)  
E-Mail: [kushalnicccl@gmail.com](mailto:kushalnicccl@gmail.com)

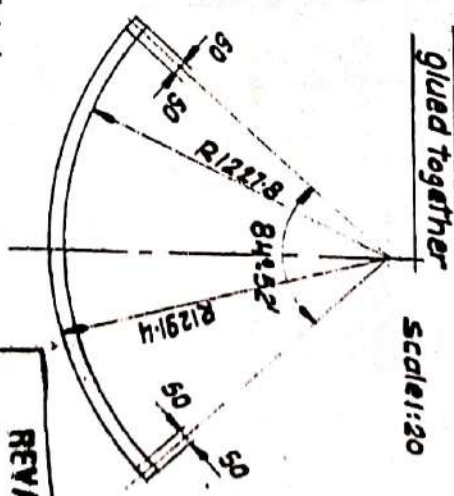
\*\*\*



Technical Instructions

1. Before gluing the Dust separator must be checked for a tight fit on its seat.
2. Manufacture of Dust separator out of three sections glued together is permitted.
3. Dust separator may be made of three layer

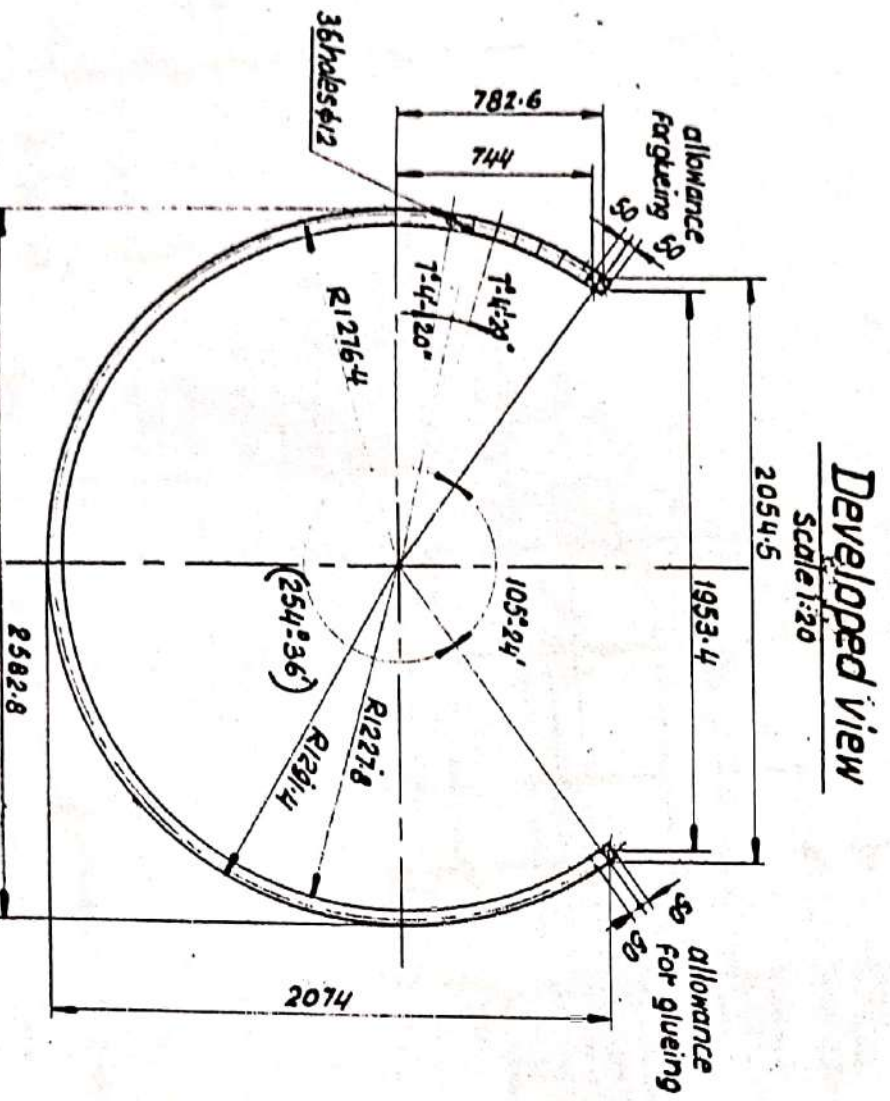
① Rubber belting Joints may be glued or vulcanized.  
 4. Specification of Rubber Sheet :- Oil resistant, Working temperature - 30°C to +50°C, Cotton conducting, 2 no. of plies, Tensile strength, 350 kg/cm<sup>2</sup>, elongation 45, Shore hardness 45-65.  
View of a section when made from 3 parts glued together



Scale: 1:20

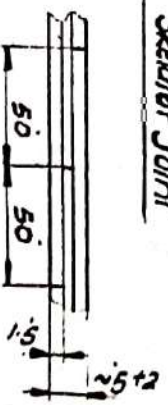
**REVALIDATED**  
 Entered CS  
 Sign & Tx 2M/4

Based on Drg. No. 8782:04:08



Developed view  
 Scale: 1:20

Sketch of Joint



**Dust separator**

1204:04:08

Material Rubber  
 See 7-I

D	1	TIKAD	REVAL	24/11/70
Order No.	Revision	Signature	Date	

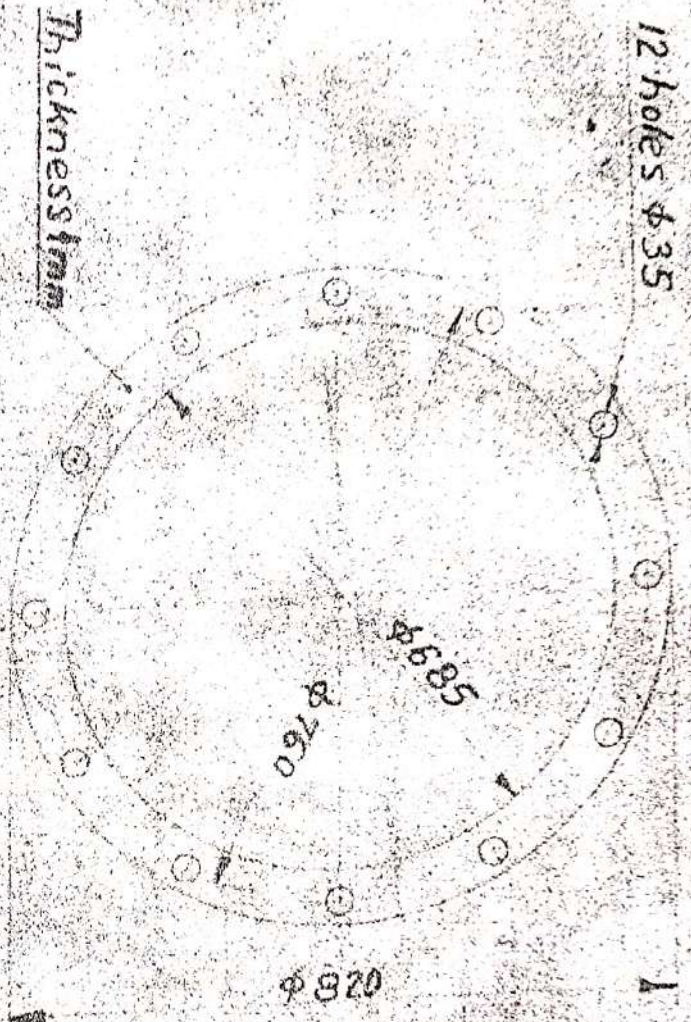
DRG. NO. 00	DRWING	DATE
DRG. NO. 00	DRWING	DATE

SCALE: 1:20	DATE: 12.3.68
HMB	APRIL 86
H.E. C.L.T.D. RANCHI	REV: 0

MARK ON TAG

21204021

12 holes  $\phi 35$



Thickness 1mm

Mark on tag

Based on Dwg No 1239-0613

Gasket  $\phi 820 / \phi 760$

$T = 1 \text{ mm}$

1204.01.12

REVISIONS

NO

DATE

BY

18/2/92

CAP JOHN

MATERIAL - 9-0/2

152712-79

Index	No.	Revision	Signature	Date

Bureau Chief		B. Srinivasulu Reddy	Scale	1:10	Weight in Kg.	0.20
Group leader		S. Ghoshal				
Designer		J. Jha				
Drawn by		J. Jha				
Ref. Dwg. No.		1204.01.00				
H. E. C. LTD, KANCHI						

50.70.1221

12

### Technical Instructions

1. It is allowed to make the detail in two or more parts by joining as shown in section A-A, taking into consideration the actual dimension in Socket, Drg. No. 1221.04.03
2. 24 holes  $\phi 9$  are to be done as per the corresponding holes in

Socket, Drg. No. 1221.04.03

3. The dust separator is allowed to be made from rubber sheet with 25mm thickness. 5mm made of cotton reinforced oil resistant rubber working temp.  $0^{\circ}C - 60^{\circ}C$ . Tensile strength not less than 25kg/cm width.

Section A-A

Scale 1:1

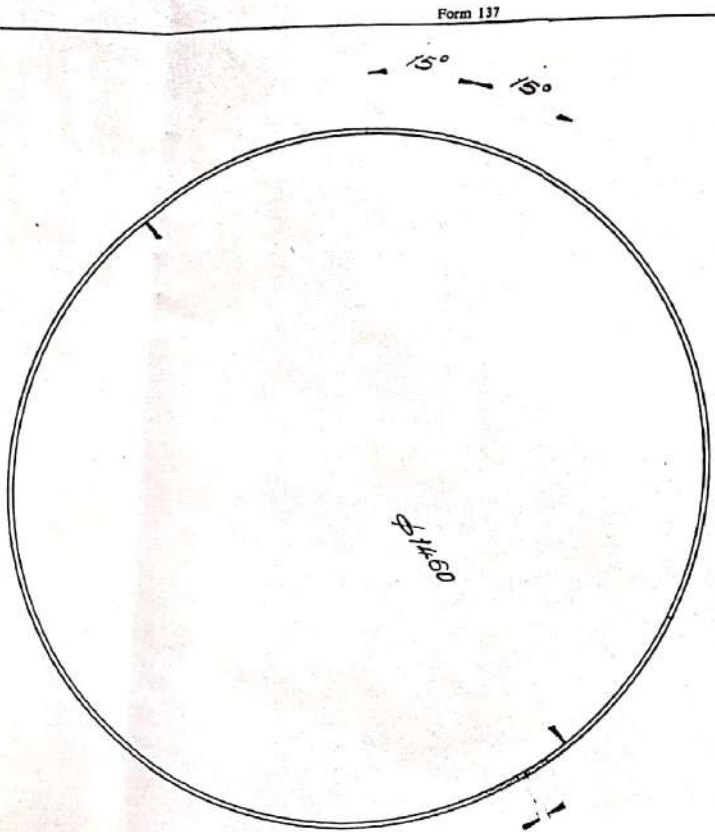
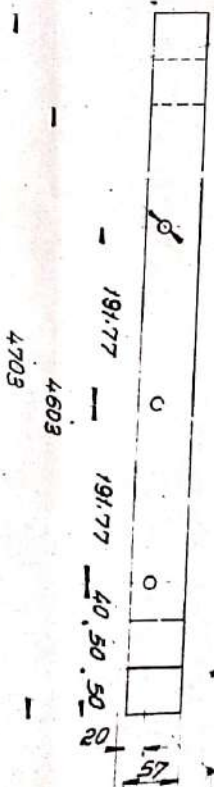
4. Mark on bag.



### Development

Scale 1:5

24 holes  $\phi 9$



Form 137

Index No.	Revision	Signature	Date

REVALICATED  
CG  
19/11/98

NDCC Form 0207 (8-89) 5,000 Nos.

499.04.103

**Dust Separator**

4703 x 57 x 5

Material: - Rubber  
See T13

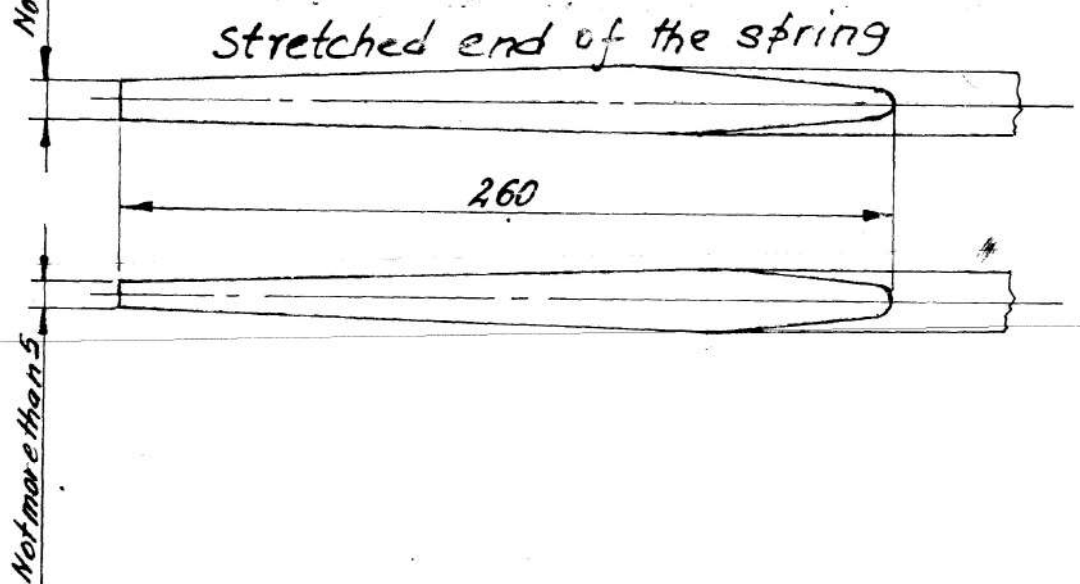
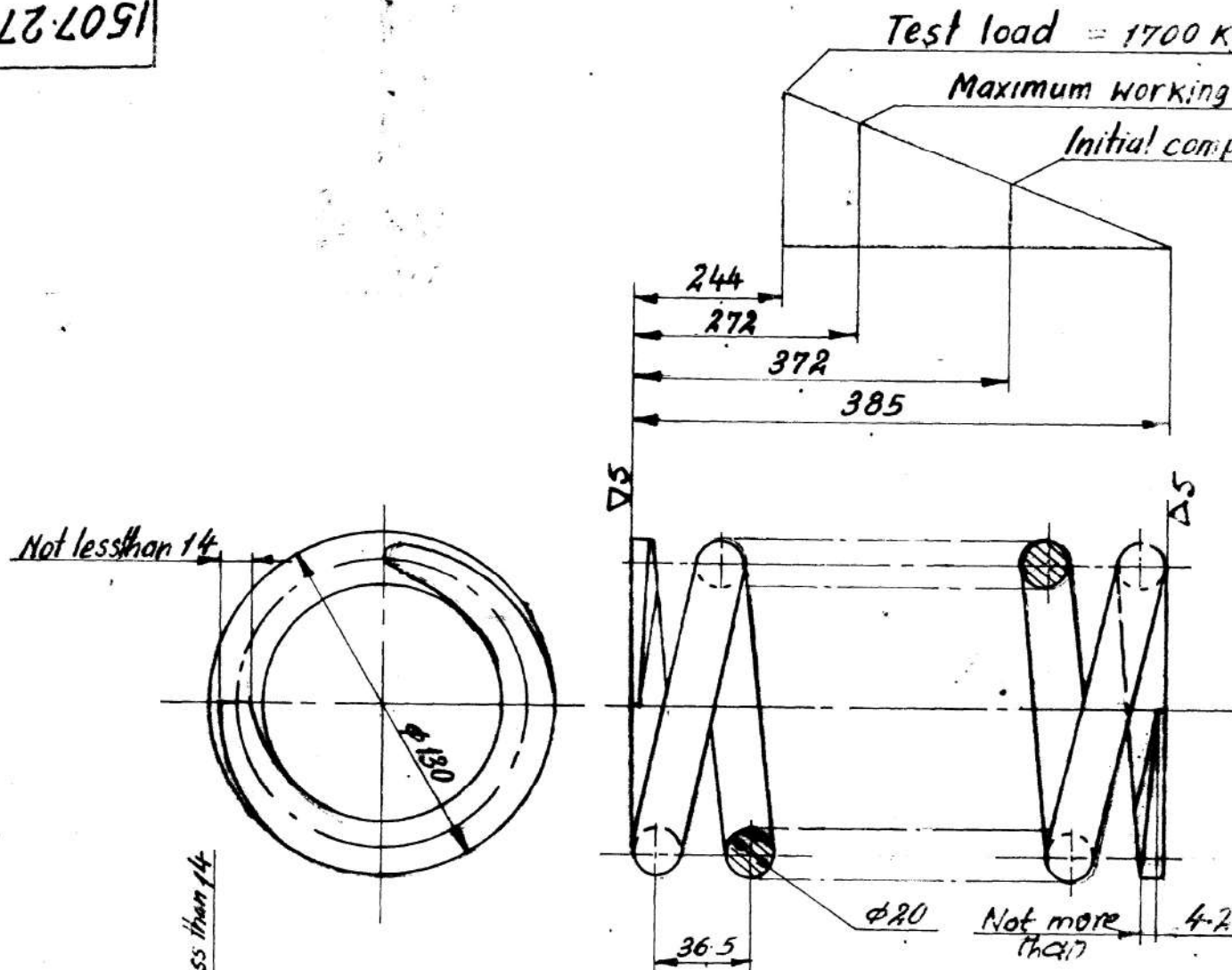
Scale: 1:10 | Weight in kg: - 2.4

HMB  
H. E. C. LTD., RANCHI

Oct. 69  
Rev. 0

Design No.	499.04.103
Drawn By	B.S. Vishwakarma
Checked By	D.K. Guha
Approved By	W.K. Thakur
Scale	1:10
Date	12/3/24

1507-27-695



**TECHNICAL CHARACTERISTICS**

1. Developed length of wire = 4000mm
2. Winding of spring = L.H.
3. Number of working coils = 10
4. Total number of coils = 11.5
5. Heat treatment = HRC 44-49
6. The spring should be tested 3 times with a load of 1700 kg.
7. Cracks, scratches and other defects are not allowed on the surface of the wire.
8. Sharp edges on the supporting surfaces should be removed.
9. Spring should be coated with varnish.

**REVALIDATED**

Bureau ... CD. <sup>Navin</sup> 22/1/19  
 Sig & Dt. <sup>17.3.98</sup>  
 (Alok Kumar)

\* 55Si7  
 Material IS: 3431-82  
 3195-92

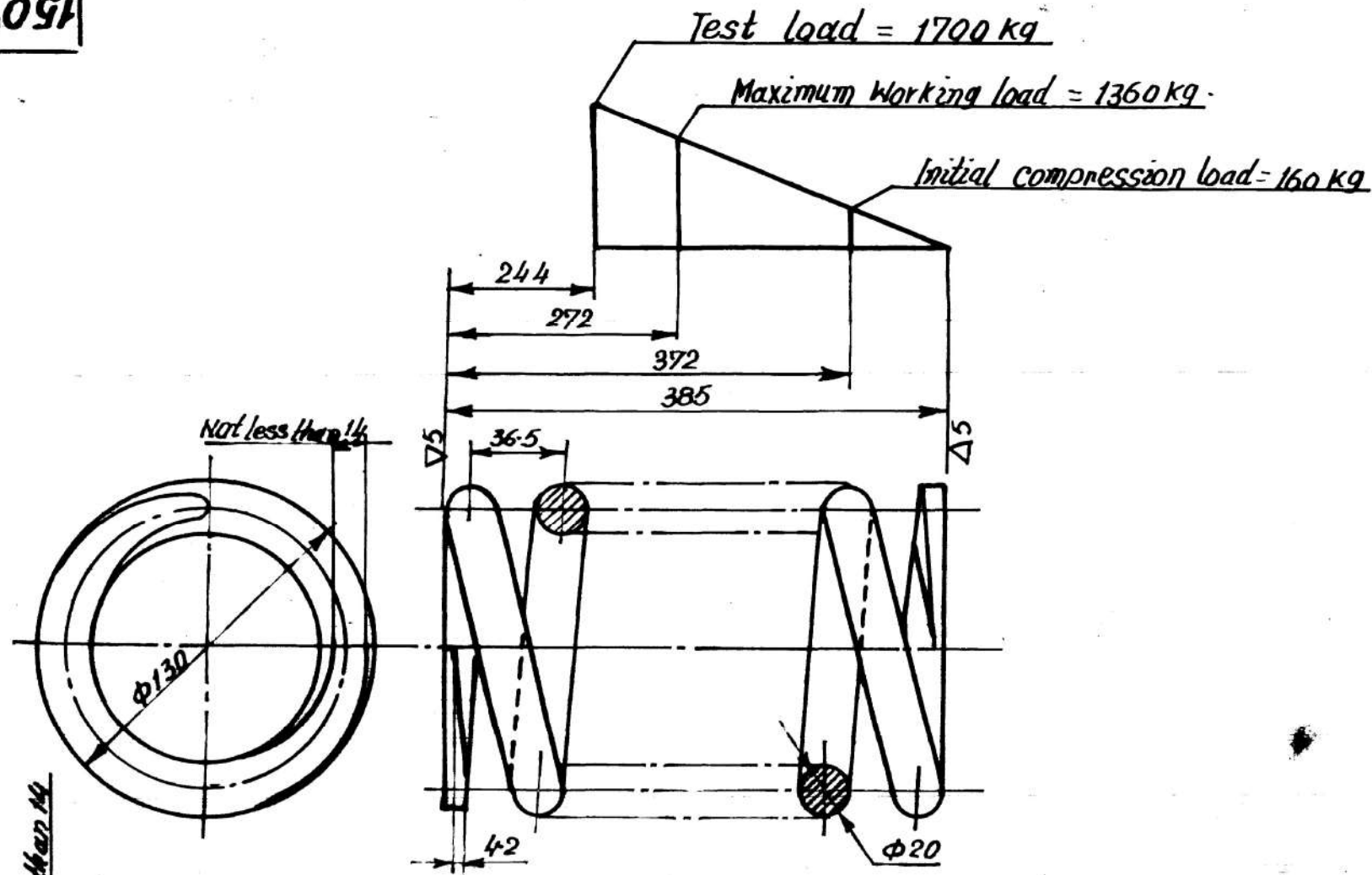
15-3-1366

Based on drg. no. 11277.3.5.6

Index No	Revision	Signature	Date

11277.3.5.6	<b>SPRING L.H.</b>		1507-27-695
			Material: <sup>55Si7</sup> 3431-82 3195-92
	Bureau chief S.P. Jain		Scale: 1:2.5 Weight in kg: 9.7
	Group Leader M.B. Zaman		<b>HMB</b> JAN 67
	Designer S.P. Sinha		LTD, RANCHI Rev-0
1507-27-690	Drawn by S.P. Rout		1366 15-3-13
Ref. Drg. No.	Norm. copy		

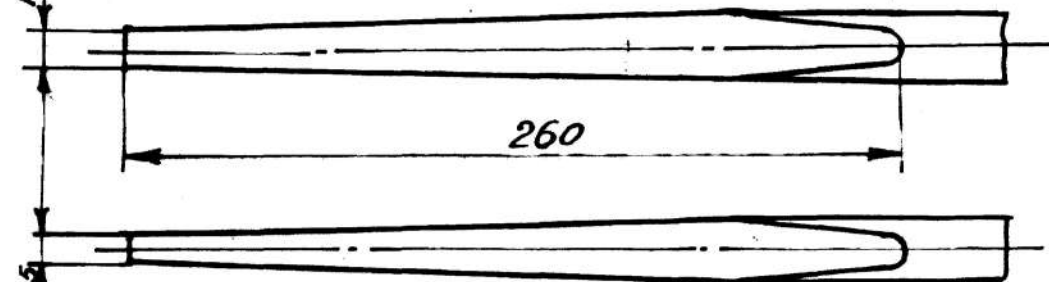
1507-27-703



**TECHNICAL CHARACTERISTICS**

1. Developed length of wire = 4000 mm.
2. Winding of spring = R.H.
3. Number of working coils = 10
4. Total number of coils = 11.5
5. Heat treatment = HRC 44-49
6. The spring should be tested 3 times with a load of 1700 kg.
7. Cracks, scratches and other defects are not allowed on the surface of the wire
8. Sharp edges on the supporting surface should be removed.
9. Spring should be coated with varnish.

Stretched end of the spring



**REVALIDATED**

Bureau ... CO. No. 17-3-98  
 Sig & Dtl (ALOK KUMAR)

Duplicate Tracing

MICRO FILM TAKEN

Based on drg. no. 11277.3.5.4

Index No.	Revision	Signature	Date

11277.3.5.4	1507.27.703
Spring R.H.	5551 55512 AM 90 15.3.52-16-1570-615
Bureau Chief: S.P. Jain	Scale: 1:2.5 Weight: 9.7
Comp. Leader: M.B. Zambh	<b>HMB</b> Jan. 68
Designer: S.P. Sinha	H.E. C.LTD., BANGALORE
1507-27-690	Rev-0
Drawn by: S.P. Rout	
Ref. Drg. No.	

Retraced by: - K.P. Chaudhary

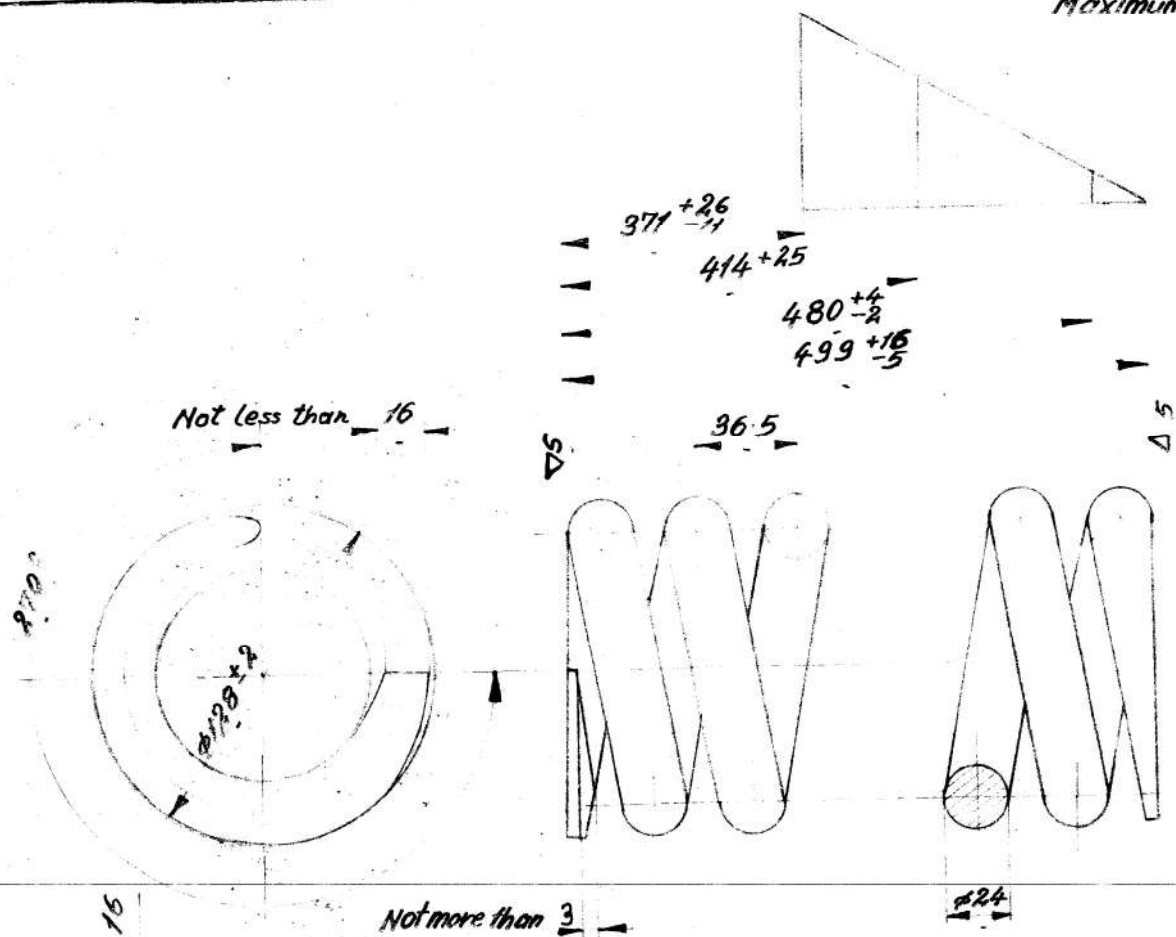


1507.27.912

Test load 2900 Kg  
 Maximum working load 1900 Kg  
 Load at initial compression 400 Kg

TECHNICAL INSTRUCTIONS

- 1 Developed length of wire - 4750 mm
- 2 Spring winding - r. h.
- 3 Number of working turns - 13
- 4 Total number of turns - 14.5
- 5 Heat treatment to - HRC 35-40
- 6 Testing should be done thrice with <sup>Compressive</sup> load of 2900 Kg.
- 7 Cracks, scratches and other defects are not allowed on the surface of the spring.
- 8 Deviation of the axis of spring from perpendicular to the end faces of the spring should not exceed 7.5 mm
- 9 Deviation of the end faces of the spring from nominal should not exceed 7.5 mm.
- 10 Sharp corners on the end faces should be rounded.
- 11 Coat the spring with varnish.



Development of the end of spring



REVALIDATED

Bureau .....  
 Sig & Dd .....  
 (ALOK KUMAR)

\* 55Si7  
 IS: 3431-82  
 3195-92

11277.3.72	<b>SPRING</b>		1507.27.912
	Bureau Chief	S.P. Jain	Material * Steel 55Si7
	Group leader	M.B. Zaman	Scale 1:2.5
	Designer	U. Singh	Weight in Kg. 1.5
	Drawn by	S.P. Rout	<b>HMB</b> H. E. C. LTD., RANCHI
	Ref. Drg. No.	1507.27.910A	

Based on Russian Drg. No. 11277.3.7.2

Index	No.	Revision	Signature	Date